

Retractors Retraktor



Bauchdeckenhalter Abdominal Retractors



Kugelschnellverschluss
Ball Snap Closure



1/3

Collin-Baby 18 cm, 7"

04-110 mit 2 Paar Valven
with 2 pair of blades

04-114 23 x 44 mm

04-116 30 x 44 mm



1/3

Collin 22 cm, 8 3/4"

04-120 32 mm x 62 mm
1 1/2" x 2 3/8"



1/3

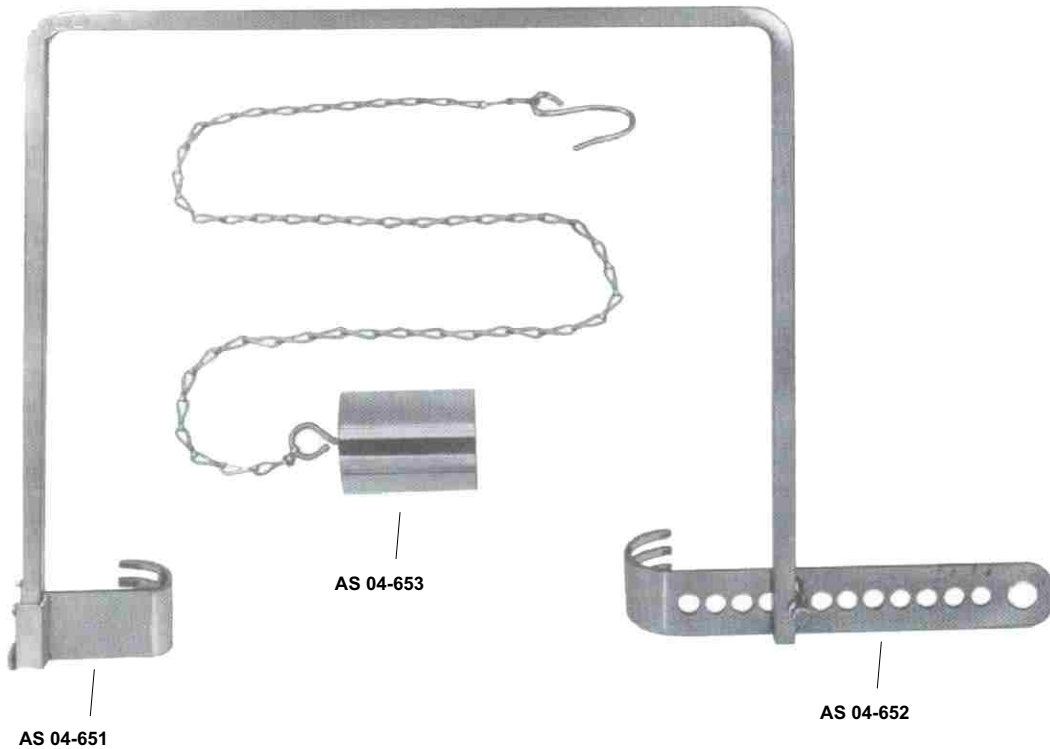
Collin	04-130	32 mm x 62 mm 1 1/2" x 2 3/8"	55 mm x 55 mm 2 1/8" x 2 1/8"
	04-140	38 mm x 80 mm 1 1/2" x 3 1/8"	55 mm x 65 mm 2 1/8" x 2 1/2"
	04-150	38 mm x 100 mm 1 1/2" x 4" seitl. Valven lateral blades	55 mm x 75 mm 2 1/8" x 2" Mittelvalve center blades



1/4

Collin	04-160	50 mm x 58 mm 2" x 2 1/4"	62 mm x 67 mm 2 1/2" x 2 5/8"
	04-170	62 mm x 80 mm 2 3/8" x 3 1/8"	62 mm x 70 mm 2 1/2" x 2 3/4"
		seitl. Valven lateral blades	Mittelvalve center blades

Bauchdeckenhalter Abdominal Retractors



AS 04-650 Charnley Initial Incision Retractor, Complete

- AS 04-651
kurzes Blatt Standard - short blade standard
- AS 04-652
langes Blatt Standard - long blade standard
- AS 04-653
Gewicht - weight
- AS 04-654
langes Blatt 3" tief - long blade 3" deep
- AS 04-655
kurzes Blatt 3" tief - short blade 3" deep
- AS 04-656
kurzes Blatt 4" tief - short blade 4" deep
- AS 04-657
langes Blatt 4" tief - long blade 4" deep

Bauchdeckenhalter Abdominal Retractors



Kugelschnellverschluss
Ball Snap Closure

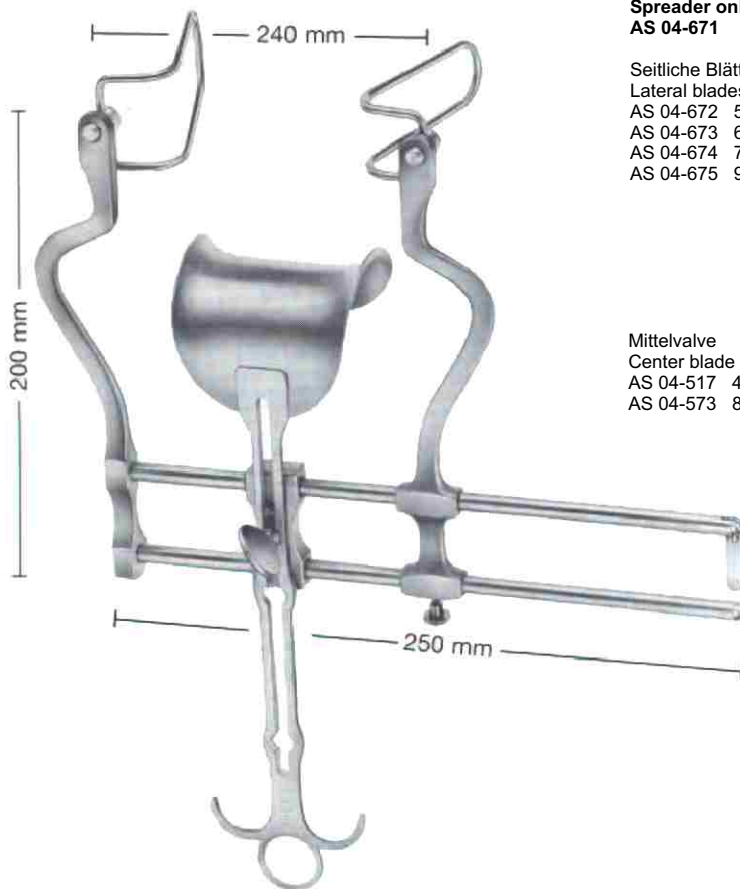
Balfour
komplett - complete

AS 04-676 - AS 04-678

Sperrer alleine
Spreader only
AS 04-671

Seitliche Blätter
Lateral blades
AS 04-672 50 mm
AS 04-673 60 mm
AS 04-674 75 mm
AS 04-675 90 mm

Mittelvalve
Center blade
AS 04-517 47 x 80 mm
AS 04-573 80 x 80 mm



Seitliche Blätter
Lateral blades
AS 04-672
50 mm tief - deep
AS 04-673
60 mm tief - deep
AS 04-674
75 mm tief - deep
AS 04-675
90 mm tief - deep

Bauchdeckenhalter Abdominal Retractors



1/3

Denis-Browne 700-04

bestehend aus/consisting of

04-701	1 Rahmen, frame	180 mm x 150 mm
04-702	2 Valven, blades	40 mm x 30 mm
04-703	2 Valven, blades	40 mm x 40 mm

Denis-Browne

Valve, blades

04-705	20 mm x 30 mm
04-706	20 mm x 40 mm

Denis-Browne

Rahmen, frame

04-711	25,5 cm x 18 cm
---------------	-----------------



1/4



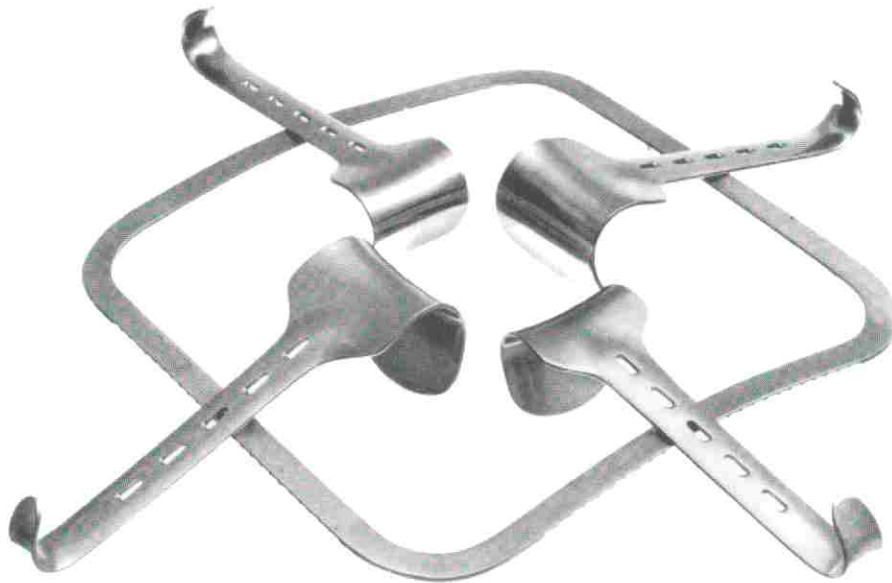
1/4

O'Sullivan-O'Connor 04-780

bestehend aus/consisting of

04-781	1 Rahmen, frame	
04-782	2 Valven, blades	90 mm x 45 mm
04-783	1 Valve, blade	100 mm x 70 mm

Bauchdeckenhalter Abdominal Retractors



¼

Kirschner 04-800

starrer Rahmen, fixed frame

bestehend aus/consisting of

- 04-805** 1 starrer Rahmen, fixed frame
- 04-810** 2 Valven, blades 50 mm x 65 mm
- 04-815** 2 Valven, blades 40 mm x 55 mm

Kirschner

04-820 30 x 38 cm starrer Rahmen
11¾" x 15" fixed frame

04-825 30 x 32 cm
11¾" x 12½"



¼

Kirschner 04-830

zusammenlegbarer Rahmen, folding frame.

bestehend aus/consisting of

- 04-831** 1 zusammenlegbarer Rahmen, folding frame.
- 04-810** 2 Valven, blades 50 mm x 65 mm
- 04-815** 2 Valven, blades 40 mm x 55 mm



⅓

⅓

Kirschner

04-840 65 mm x 80 mm 2½" x 3⅛"

04-841 60 mm x 85 mm 2¾" x 3⅜"

04-842 80 mm x 80 mm 3⅛" x 3⅛"

Kirschner

04-843 78 mm x 65 mm 3" x 2½"

04-844 90 mm x 65 mm 3½" x 2½"

04-845 80 mm x 57 mm 3⅛" x 2¼"

04-846 90 mm x 90 mm 3½" x 3½"

04-847 80 mm x 90 mm 3⅛" x 3½"

Bauchdeckenhalter Abdominal Retractors



1/5

Rochard

04-900 Befestigungsrahmen für OP-Tische
Mounting frame for operating tables



1/8

Rochard 19 cm, 7 3/4"

04-906 Fixiervorrichtung
Fixation device



Rochard

04-902 Befestigungsrahmen für OP-Tische
Mounting frame for operating tables



1/8

Rochard 27 cm, 10 1/2"

04-910 50 mm x 95 mm, 2" x 3 3/4"
04-915 50 mm x 105 mm, 2" x 4 1/8"
04-920 60 mm x 120 mm, 2 3/8" x 4 3/4"
04-925 60 mm x 135 mm, 2 3/8" x 5 1/4"
04-930 60 mm x 155 mm, 2 3/8" x 6 1/8"



Doyen 28 cm, 11"

04-943 50 mm x 90 mm, 2" x 3 1/2"
04-945 50 mm x 105 mm, 2" x 4 1/8"
04-947 50 mm x 120 mm, 2" x 4 3/4"
04-949 50 mm x 135 mm, 2" x 5 1/4"

Bauchdeckenhalter Abdominal Retractors



Kugelschnellverschluss
Ball Snap Closure



Holzbach

04-190 62 mm x 80 mm 80 mm x 80 mm
2 1/2" x 3 1/4" 3 1/4" x 1/4"
seitl. Valven Mittelvalve
lateral blades center blades



1/4

Ricard

04-210 60 mm x 80 mm 55 mm x 70 mm 300 mm
2 1/4" x 3 1/8" 2 1/8" x 2 3/4"
04-220 72 mm x 85 mm 80 mm x 90 mm 280 mm
2 3/4" x 3 3/8" 3 1/4" x 3 1/2"
seitl. Valven Mittelvalve Spreizweite
lateral blades center blade spread



Mercedes 04-255

bestehend aus/consisting of

- 04-256** 1 Rahmen, frame
- 04-257** 2 Seitenvalven, lateral blades 42 x 65 mm
- 04-258** 2 Seitenvalven, lateral blades, 75 x 75 mm



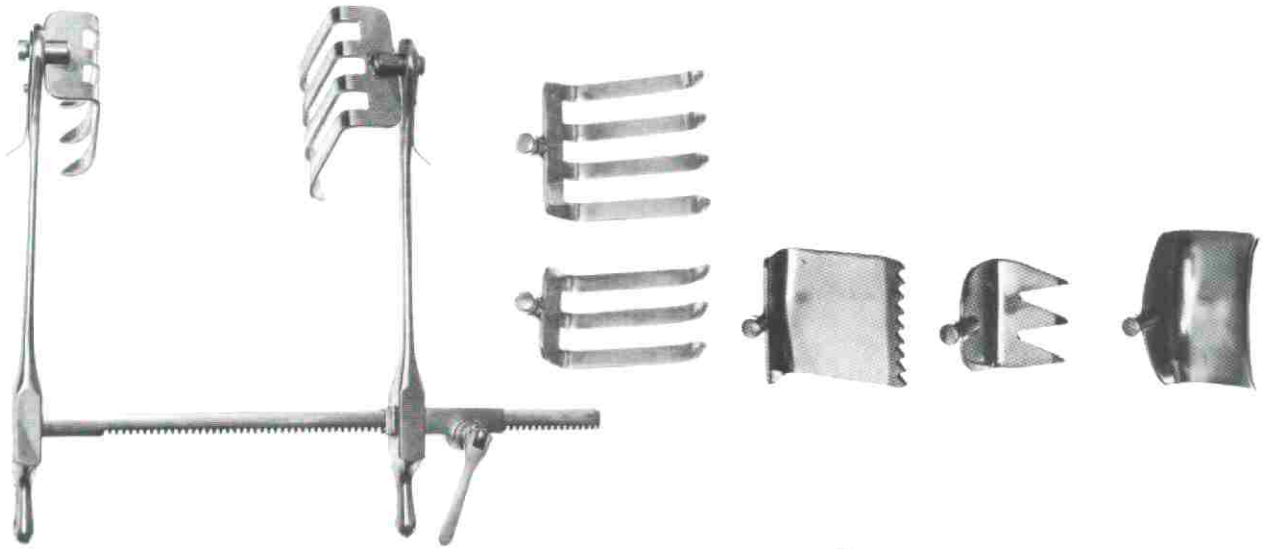
St. Marks 22 cm, 8 3/4"

04-267 40 mm x 70 mm
1 5/16" x 2 3/4"

Bauchdeckenhalter Abdominal Retractors



Kugelschnellverschluss
Ball Snap Closure



1/3

1/3

Scoville-Richter

04-270
14 cm, 5 1/2" Spreizweite
blade opening
mit 2 Valven, with 2 blades,

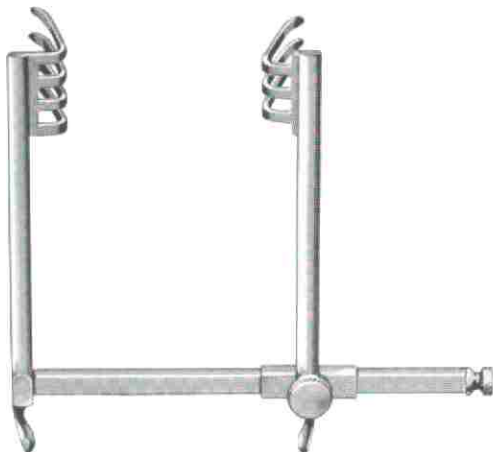
04-272
60 mm, 2 3/8"
50 mm, 2"

04-274
50 mm, 2"
50 mm, 2"

04-276
28 mm, 1 1/2"
40 mm, 1 1/2"

04-277
38 mm, 1 1/2"
62 mm, 2 1/2"

Die Blätter werden paarweise geliefert.
The blades are delivered in pairs.



1/3

Temple-Fay

04-290
16,5 cm, 6 1/2" Spreizweite
blade opening



1/3

Frazier

04-295
16,5 cm, 6 1/2" Spreizweite
blade opening

Bauchdeckenhalter Abdominal Retractors



2/3

Gosset

04-400 32 mm x 19 mm
seitl. Valven
lateral blades

100 mm
Spreizweite
blade opening

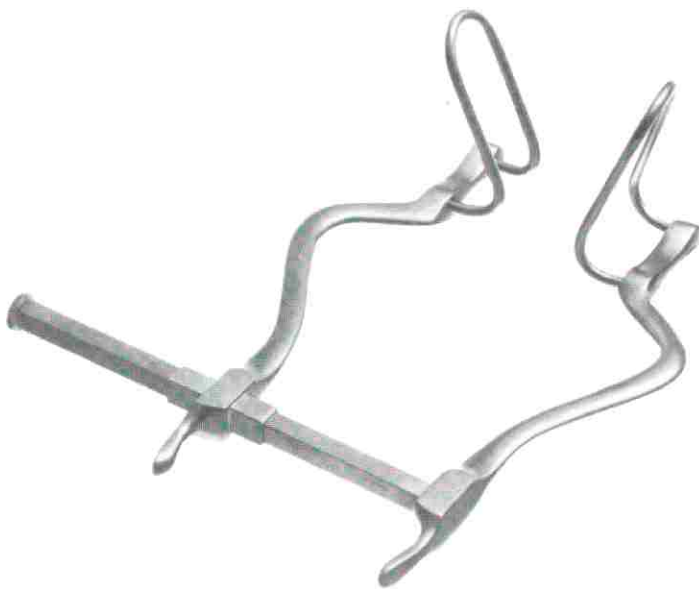


2/3

Gosset

04-410 38 mm x 19 mm
seitl. Valven
lateral blades

100 mm
Spreizweite
blade opening



1/3

Gosset

04-420 64 mm x 25 mm
seitl. Valven
lateral blades

140 mm
Spreizweite
blade opening



1/4

Gosset

04-430 64 mm x 25 mm
seitl. Valven
lateral blades

60 mm x 57 mm
Mittelvalve
center blade

140 mm
Spreizweite
blade opening

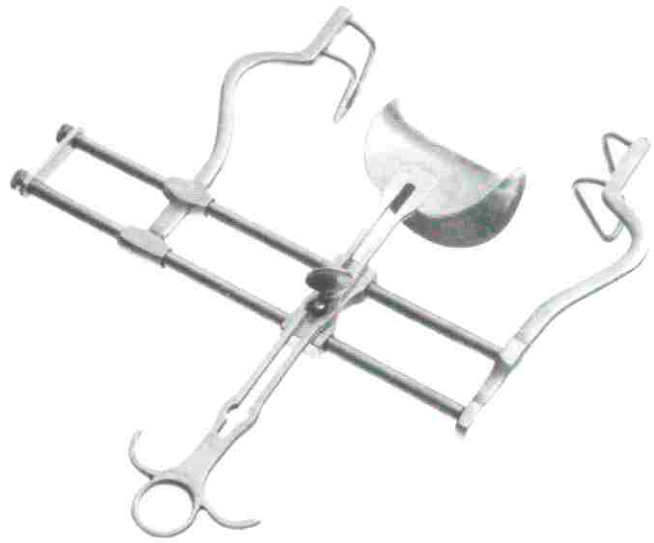
Bauchdeckenhalter Abdominal Retractors



1/2

Balfour-Baby

04-500	27 mm x 25 mm 1 1/16" x 1"	25 mm x 25 mm 1" x 1"	9 mm 3 1/2"
	seitl. Valven lateral blades	Mittelvalve center blade	Spreizweite blade opening



1/4

Balfour

04-510	58 mm	45 mm x 80 mm	125 mm
04-520	60 mm	60 mm x 80 mm	200 mm
04-530	90 mm	80 mm x 80 mm	220 mm
	seitl. Valven lateral blades	Mittelvalve center blade	Spreizweite blade opening



1/2

Balfour

04-550	70 mm 2 3/4"	45 mm x 80 mm 1 3/4" x 3 1/4"	200 mm 8"
	seitl. Valven lateral blades	Mittelvalve center blade	Spreizweite blade opening

Wundspreizer Self-Retaining Retractors



2/3

Weitlaner 10,5 cm, 4"

01-170 **01-171**
scharf stumpf
sharp blunt



2/3

Weitlaner 13,5 cm, 5"

01-172 **01-173**
scharf stumpf
sharp blunt



1/2

Weitlaner 16,5 cm, 6 1/2"

01-174 **01-175**
scharf stumpf
sharp blunt



1/3

Weitlaner 20 cm, 8"

01-176 **01-177**
scharf stumpf
sharp blunt



1/3

Weitlaner 25 cm, 9 1/2"

01-178 **01-179**
scharf stumpf
sharp blunt

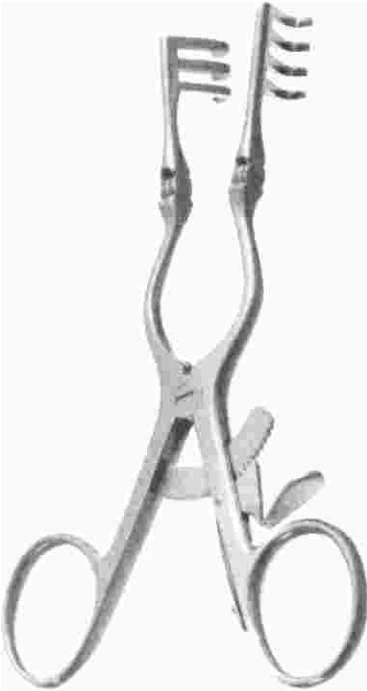


1/3

Weitlaner 26 cm, 10 1/4"

01-180 **01-181**
scharf stumpf
sharp blunt

Wundspreizer Self-Retaining Retractors



2/3
Cone 13 cm, 5"
01-184 **01-185**
 scharf stumpf
 sharp blunt



1/2
Cone 16,5 cm, 6 1/2"
01-186 **01-187**
 scharf stumpf
 sharp blunt



1/3
Cone 20 cm, 8"
01-188 **01-189**
 scharf stumpf
 sharp blunt



1/2
Cone 25 cm, 9 1/2"
01-190 **01-191**
 scharf stumpf
 sharp blunt



2/3
Wullstein 10,5 cm, 4"
01-194 **01-195**
 scharf stumpf
 sharp blunt



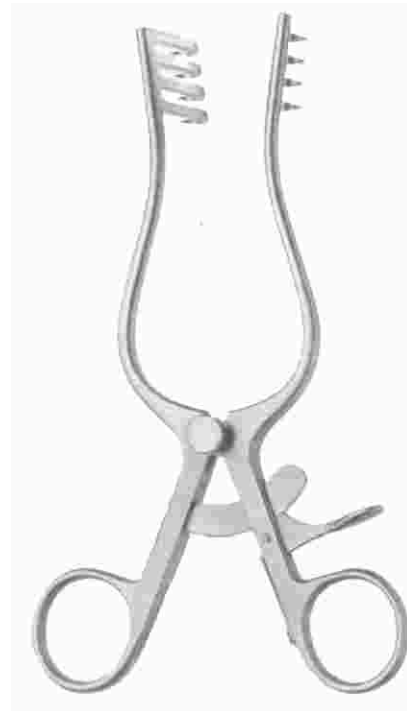
2/3
Wullstein
01-196 **01-197** 13 cm, 5"
01-198 **01-199** 16 cm, 6 1/4"
 scharf stumpf
 sharp blunt

Wundspreizer Self-Retaining Retractors



AS 01-204

Bellucci
13 cm
scharf / sharp



IRWIN

AS 01-207

scharf - sharp
175 mm, 7"

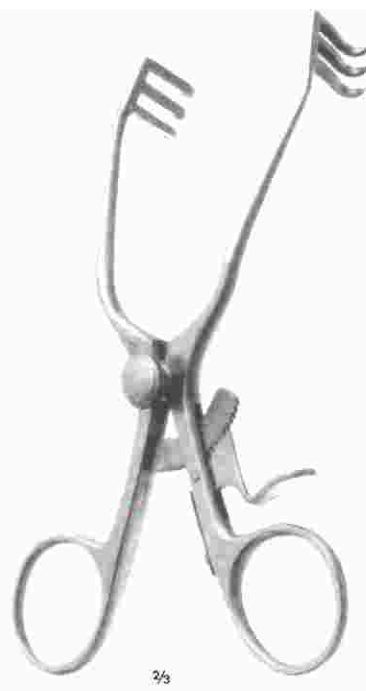
Wundspreizer Self-Retaining Retractors



Weitlaner Baby 14 cm, 5½"
01-200



Milligan 13 cm, 5"
01-202 01-203
scharf stumpf
sharp blunt



Schuhknecht 14 cm, 5½"
01-205



Adson 20 cm, 8"
01-208 01-209
scharf stumpf
sharp blunt



Anderson-Adson 20 cm, 8"
01-210 01-211
scharf stumpf gewinkelte Arme
sharp blunt angular arms



Adson 27 cm, 10½"
01-212 01-216
5 x 6 Zähne; prongs
3 x 4 dientes, dents
35 mm, 1¾" tief
scharf stumpf
sharp blunt
35 mm, 1¾" deep

Wundspreizer Self-Retaining Retractors



1/4

Adson 27 cm, 10 1/2"

01-218

beidseitig 6 lange Zähne 32 mm, 1 1/4" tief
on both sides 6 prongs long



1/4

Adson R 26,5 cm, 10 1/2"

01-220

rechts 6 kurze Zähne 13 mm, 1/2" tief
on right side 6 prongs short



1/4

Adson L 27 cm, 10 1/2"

01-222

links 6 kurze Zähne 13 mm, 1/2" tief
on left side 6 prongs short



1/4

Miskimon 22 cm, 9"

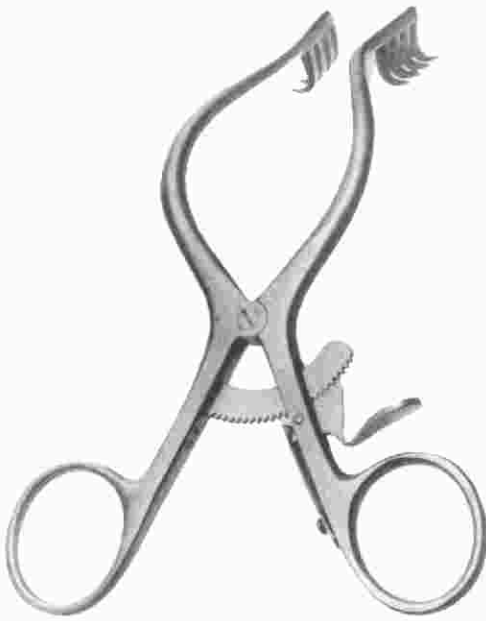
01-226

scharf
sharp

01-227

stumpf
blunt

7 x 7 Zähne
7 x 7 prongs



1/2

Mollison 15 cm, 6"

01-228

scharf
sharp



1/4

Travers 20 cm, 8"

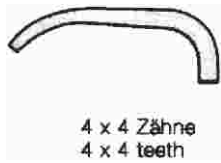
4 x 5 Zähne, prongs
45 mm, 1 3/4" tief, deep

01-229

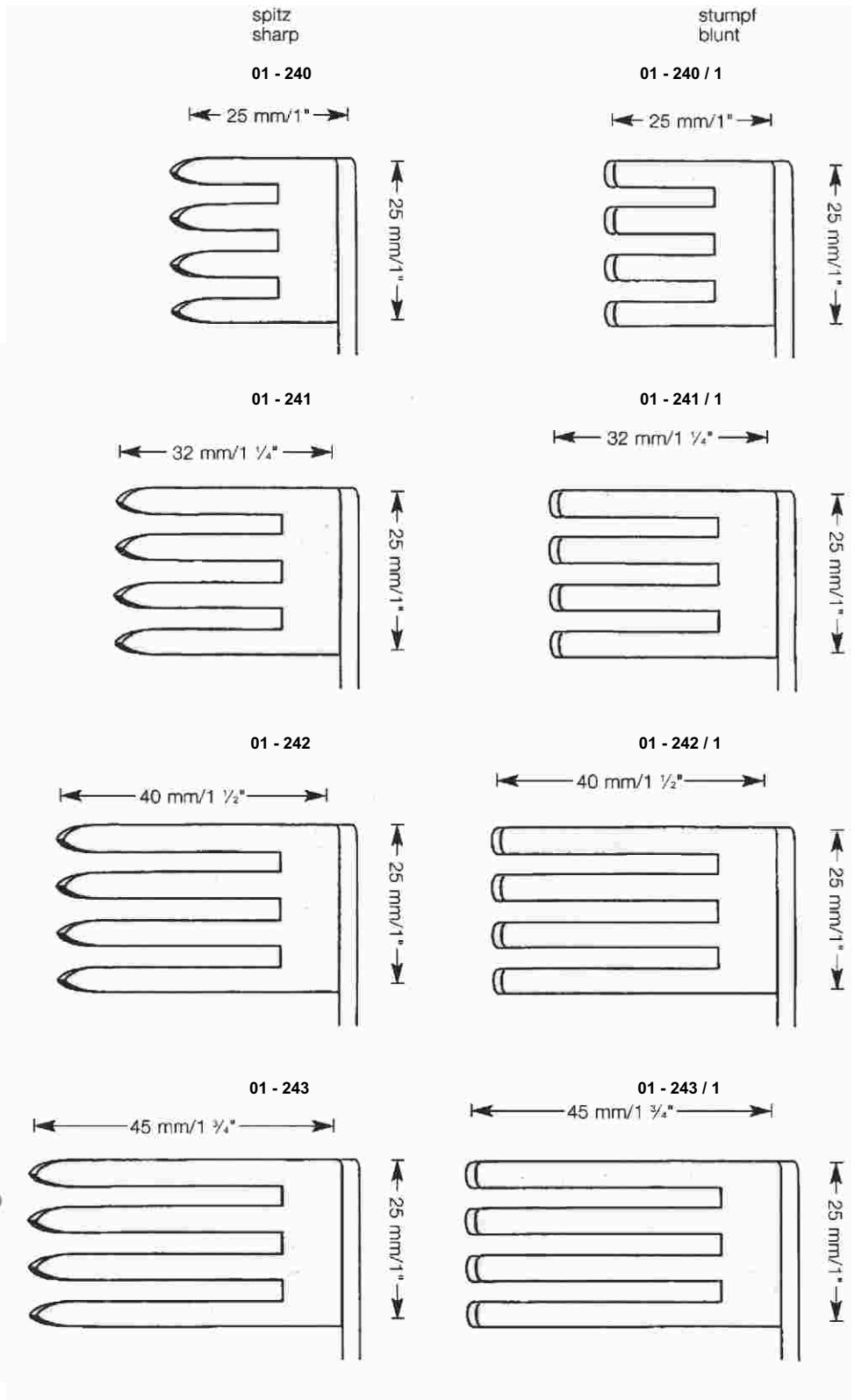
45 x 26 mm
1 3/4" x 1"

stumpf
blunt

Laminektomie-Wundspreizer, selbsthaltend Self-retaining Laminectomy Retractors



Beckmann-Adson
30,5 cm/12"



Wundspreizer Self-Retaining Retractors



¼

Beckmann 31 cm, 12"
4 x 4 Zähne, prongs
01-232 scharf
01-233 stumpf
sharp blunt



¼

Beckmann 33 cm, 13"
4 x 5 Zähne, prongs
01-234 scharf
01-235 stumpf
sharp blunt



¼

Beckmann-Adson
halbscharf, semi-sharp
01-240 25 x 25 mm, 1" x 1"
01-241 25 x 31 mm, 1" x 1¼"
01-242 25 x 40 mm, 1" x 1½"
01-243 25 x 45 mm, 1" x 1¾"



¼

Beckmann Eaton 33 cm, 13"
45 mm, 1¾"
01-246
scharf 7 x 7 Zähne
sharp 7 x 7 prongs



¼

Charnley 28 cm, 11"
01-248
Horizontalspreizer
Horizontal Retractor



¼

Sexton 31 cm, 12"
2 x 4 Zähne, prongs
01-250
Horizontalspreizer
Horizontal Retractor

Wundspreizer Self-Retaining Retractors



1/2

Mayo-Adams 17 cm, 6 3/4"
01-260



1/3

Mayo-Adams 17 cm, 6 3/4"
01-261



1/2

Tübinger Modell
01-266 16,5 cm, 6 1/2"



1/3

Rigby 18 cm, 7 1/2"
01-268 65 x 15 mm
2 9/16" x 9/16"
01-269 60 x 20 mm
2 3/8" x 3/4"
01-270 35 x 20 mm
1 3/8" x 3/4"



2/3

Plester 2 x 2

01-290 10 cm, 4"	01-291
01-292 13 cm, 5"	01-293
scharf sharp	stumpf blunt



2/3

Plester R

01-294 10 cm, 4"
01-296 12 cm, 5"



2/3

Plester L

01-298 10 cm, 4"
01-300 13 cm, 5"



1/2

Weitlaner 13 cm 5"

01-312 scharf sharp	21 mm, 13/16" tief 21 mm, 13/16" deep	01-313 stumpf blunt
----------------------------------	--	----------------------------------

Wundspreizer Self-Retaining Retractors



CAIRNS

AS 37-305

scharf - sharp
Valve drehbar
swivel blade
145 mm, 5 3/4"



MOLLISON

AS 01-301

scharf - sharp
140 mm, 5 1/2"

Wundspreizer Self-Retaining Retractors



2/3

Scalp Contour 14 cm, 5 1/2"

01-320 scharf
sharp

01-321 stumpf
blunt



2/3

Cloward Contour 14 cm, 5 1/2"

01-322 scharf
sharp

02-323 stumpf
blunt



2/3

Cloward Contour 14 cm, 5 1/2"

01-324 scharf
sharp

01-325 stumpf
blunt



1/3

Gelpi 19 cm, 7 1/2"
01-340



1/2

Gelpi
01-341 9 cm, 3 1/2"
01-342 11 cm, 4 1/2"
01-343 14 cm, 5 1/2"



1/3

Gelpi 19 cm, 7 1/2"
01-345 mit Kugel
with stop



1/2

Gelpi-Seletz 16,5 cm, 6 1/2"
01-347

Spezialwundspreizer Special Retractor



JACKSON BURROWS

AS 01-336

Wundspreizer, stumpf
Retractor, blunt
185 mm, 7 1/4"



GELPI

AS 01-339

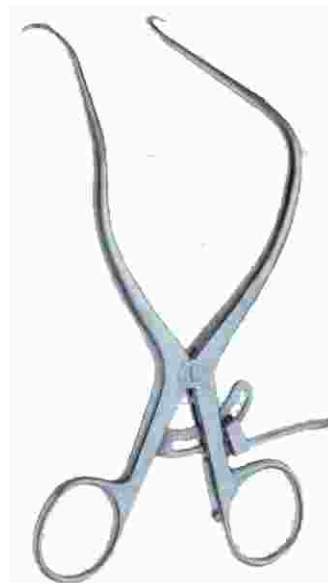
Haut- und Vulva- Spreizer
Skin- and vaginal retractor
175 mm, 7"



DE BAKEY

AS 01-337

Femur-Wundspreizer für Kinder
Femur retractor for children
100 mm, 4"



DE BAKEY

AS 01-338

Femur-Wundspreizer
Femur retractor
145 mm, 5 3/4"

**Wundspreizer
Self-Retaining Retractors**



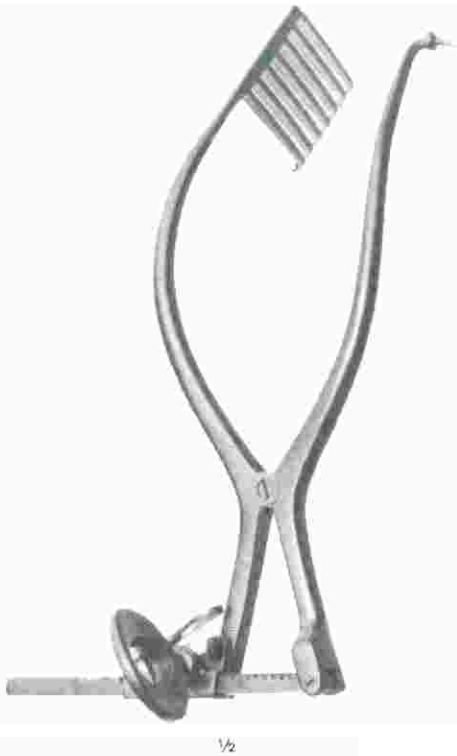
Walton 18 cm, 7"
01-350 Blätter rechts
blades right hand side



Walton 18 cm, 7"
01-351 Blätter links
blades left hand side

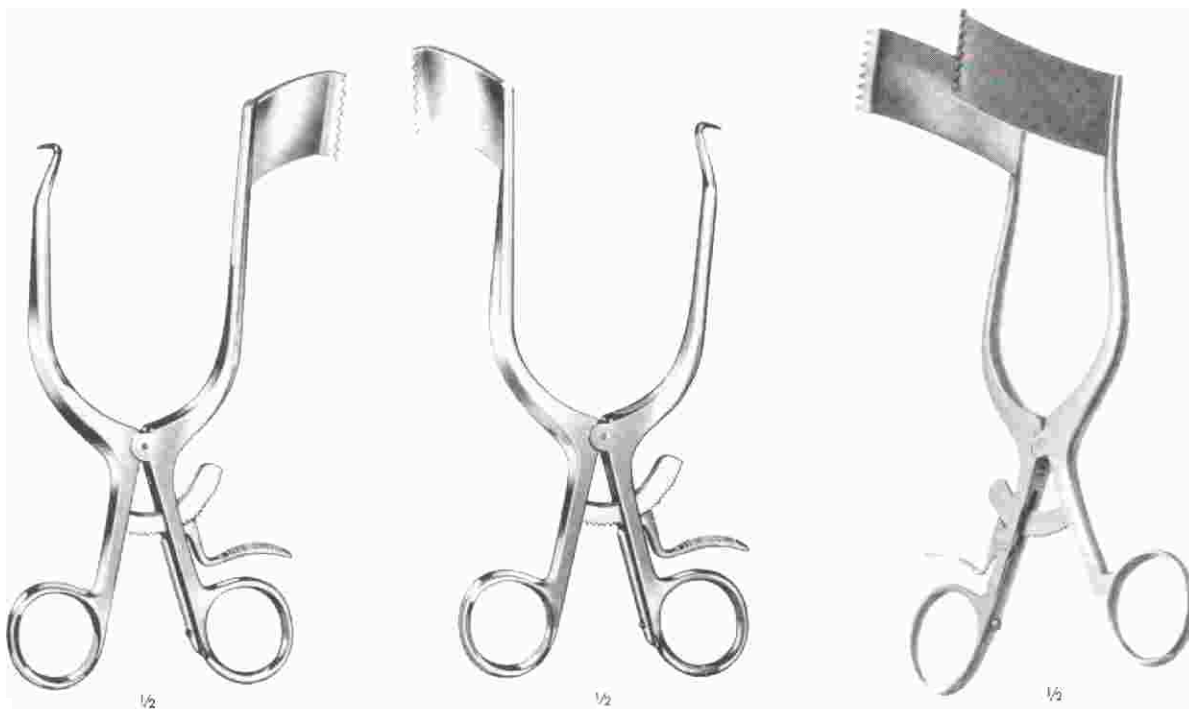


Knighthon 18 cm, 7"
01-354 Blätter rechts
blades right hand side



Knighthon 18 cm, 7"
01-355 Blätter links
blades left hand side

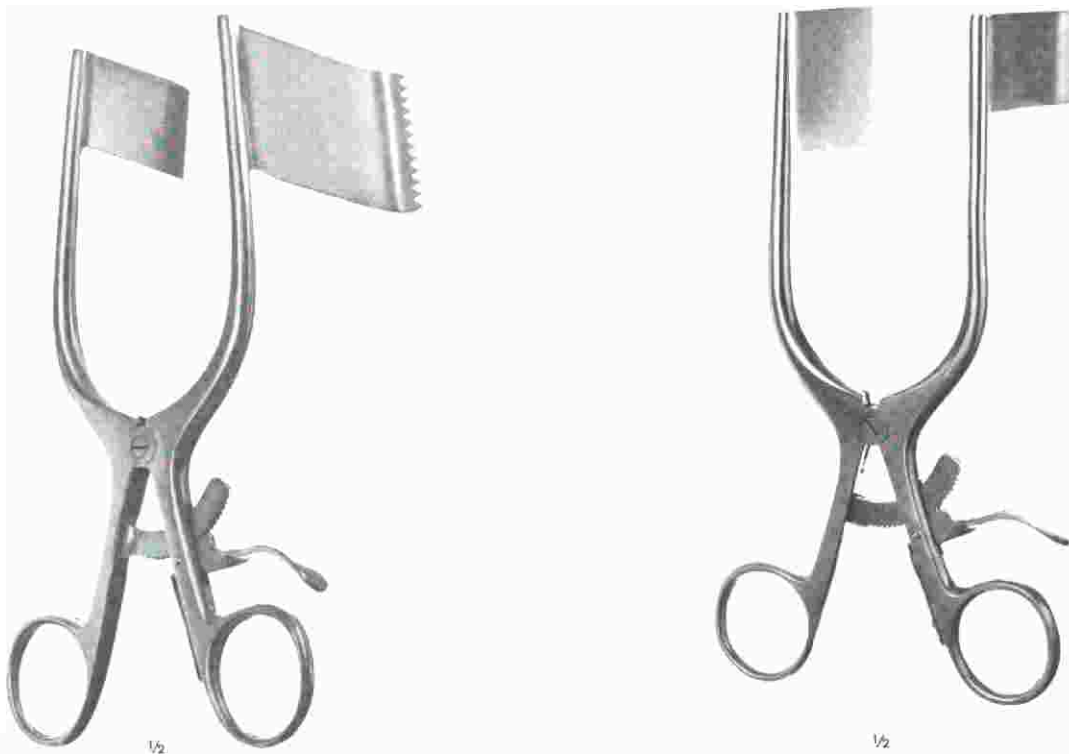
Wundspreizer Self-Retaining Retractors



Markham-Meyerdung 18 cm, 7"
01-360 Blätter rechts
blades right hand side

Markham-Meyerdung 18 cm, 7"
01-361 Blätter links
blades left hand side

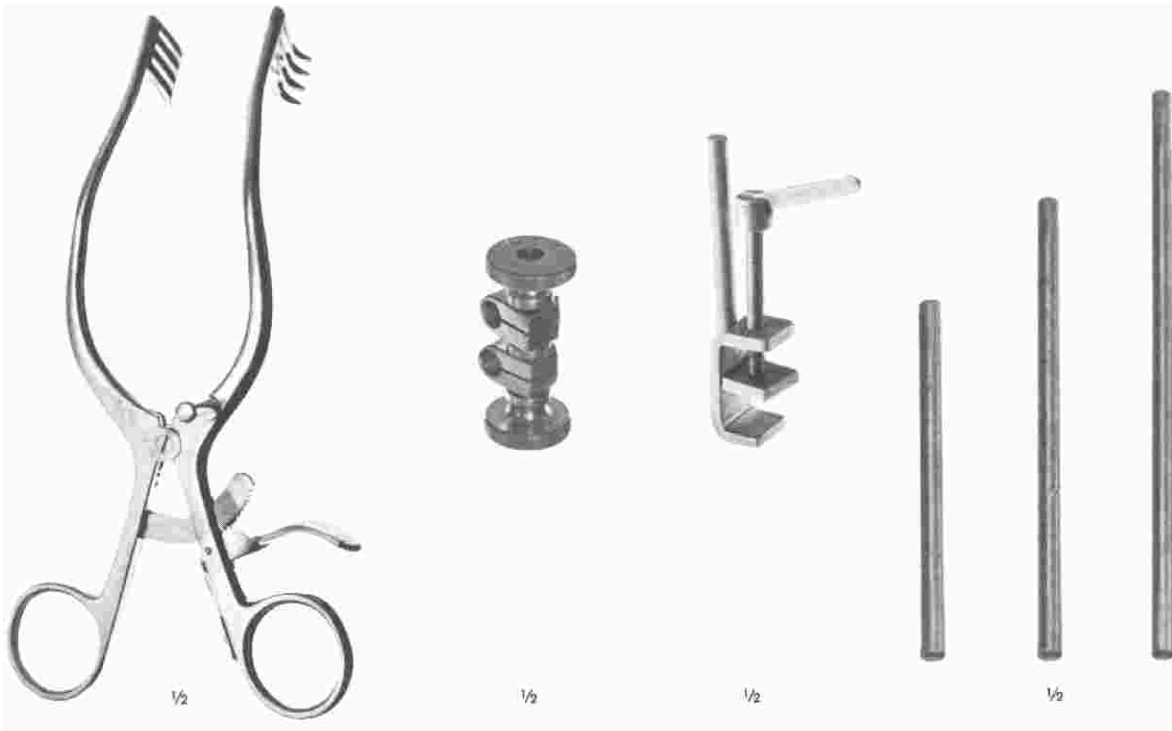
Meyerdung 20 cm, 8"
01-370 32 x 25 mm, 1 1/4" x 1"
01-371 54 x 25 mm, 2 1/8" x 1"
01-372 60 x 25 mm, 2 3/8" x 1"
01-373 60 x 19 mm, 2 3/8" x 3/4"



Darling 18 cm, 7"
01-380 Blätter rechts
blades right hand side
70 x 38 mm
2 3/4" x 1 1/2"
Blätter links
blades left hand side
57 x 25 mm
2 1/4" x 1"

Darling 18 cm, 7"
01-381 Blätter rechts
blades right hand side
70 x 38 mm
2 3/4" x 1 1/2"
Blätter links
blades left hand side
57 x 25 mm
2 1/4" x 1"

Wundspreizer Self-Retaining Retractors



Malis 19 cm, 7 3/4"

01-400

bestehend aus:
consisting of:

01-401

Spreizer ohne Valven
Retractor without blades

01-402

Fixiervorrichtung
Fixation device

01-403

Stellarm
adjustable arm

Arme, arms

Länge, length

01-404 9 cm, 3 1/2"

01-405 12 cm, 4 3/4"

01-406 15 cm, 5 7/8"



Valven für Malis, Blades for Malis

01-407

9 x 70 mm
3/8" x 2 3/4"

01-408

14 x 70 mm
1/2" x 2 3/4"

01-409

16 x 70 mm
5/8" x 2 3/4"

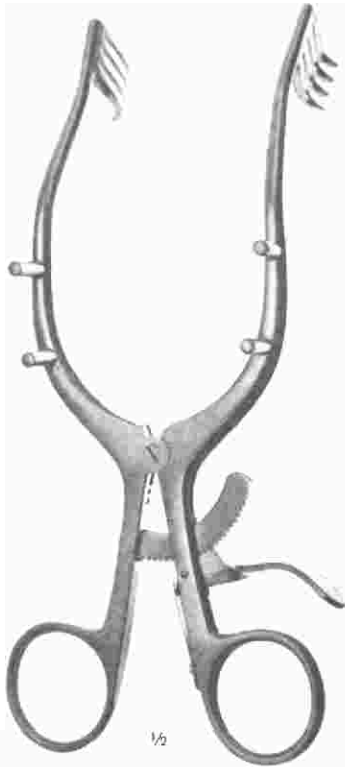
01-410

19 x 70 mm
3/4" x 2 3/4"

01-411

25 x 70 mm
1" x 2 3/4"

Wundspreizer Self-Retaining Retractors



Jannetta 19 cm, 7 3/4"

01-500

bestehend aus:
consisting of:

01-501

Spreizer ohne Valven
Retractor without blades



1/2

01-502

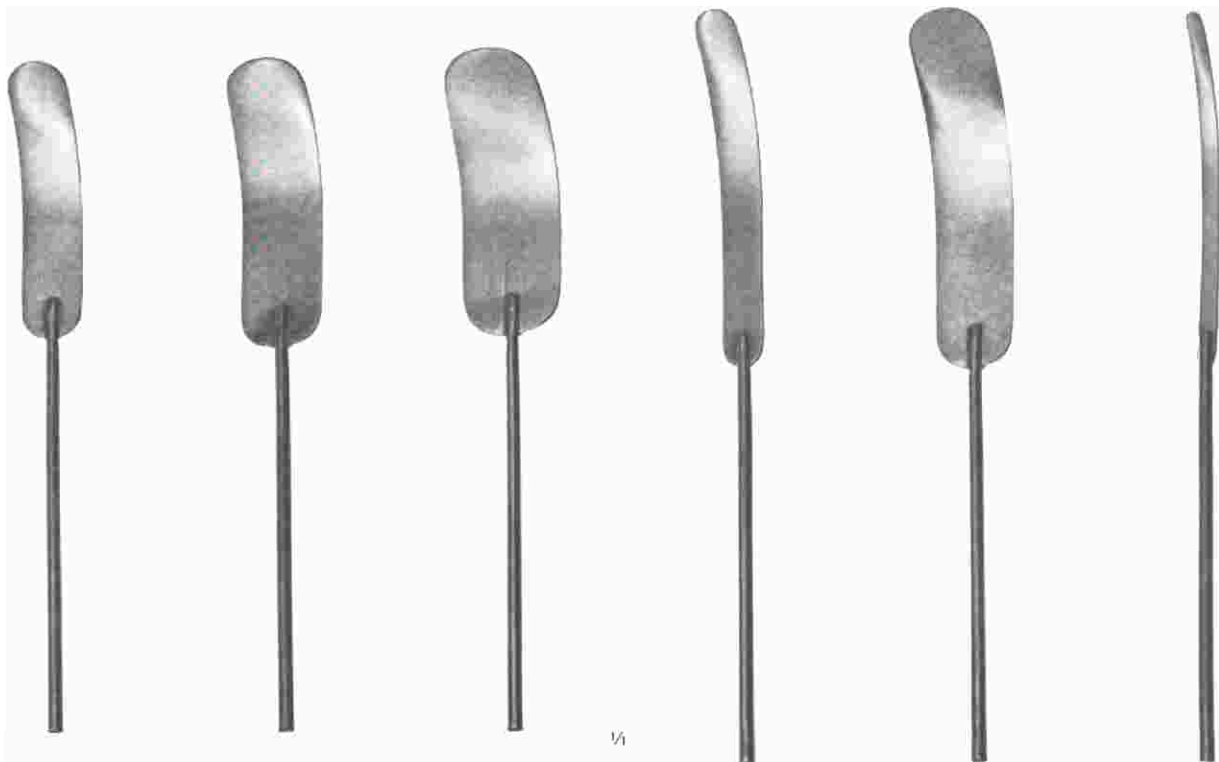
2 FixierVorrichtungen
2 Fixation device



1/2

01-503

2 FixierVorrichtungen
2 Fixation device



1/2

Valven für Jannetta, Blades for Jannetta

01-504

16 x 70 mm
5/8" x 2 3/4"

01-505

20 x 70 mm
3/4" x 2 3/4"

01-506

25 x 70 mm
1" x 2 3/4"

01-507

11 x 90 mm
7/16" x 3 1/2"

01-508

21 x 90 mm
13/16" x 3 1/2"

01-509

5 x 90 mm
3/16" x 3 1/2"

Wundspreizer Self-Retaining Retractors



Beckmann Fisch 16,5 cm, 6 1/2"

01-384 scharf
01-385 stumpf
sharp blunt



Beckmann Fisch R 16,5 cm, 6 1/2"

01-386



Beckmann Fisch L 16,5 cm, 6 1/2"

01-387



Henley-Weitlaner

Spreizer alleine / Retractor without blades

stumpf - blunt

01-610 13cm, 14 mm
01-612 16 cm, 19 mm
01-614 16 cm, 28 mm
01-616 16 cm, 40 mm

scharf - sharp

01-611 13cm, 14 mm
01-613 16 cm, 19 mm
01-615 16 cm, 28 mm
01-617 16 cm, 40 mm



Henley-Cone

Spreizer alleine / Retractor without blades

01-618 13cm, 14 mm
01-620 16 cm, 15 mm
01-622 16 cm, 25 mm
01-624 16 cm, 40 mm



Henley

Mittelvalve / Center Blade

01-630 15 mm
01-631 20 mm
01-632 25 mm
01-633 30 mm
01-634 40 mm
01-635 45 mm
01-636 50 mm
01-637 60 mm
01-638 65 mm
01-639 75 mm

Wundspreizer Retractor



MACKEE - 23 cm

50 mm AS 01-701
60 mm AS 01-702



NORFOLK

AS 01-710

scharf - sharp
220 mm, 8 3/4"

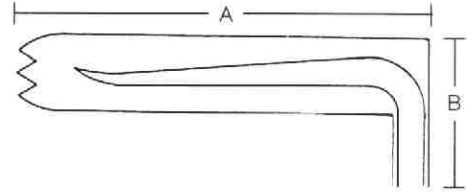
Muskelspreizer Muscle Retractors (Dissectomy Retractor)

Rechtsmodell
Right-type

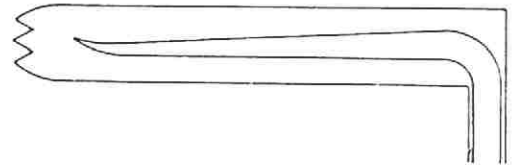


$\frac{1}{2}$
17 cm/6 $\frac{1}{2}$ "
Williams

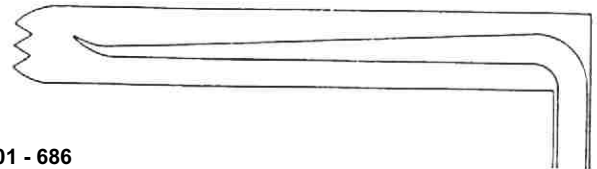
Rechtsmodell
Right-type



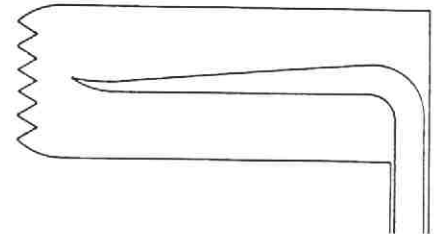
A B
50 x 10 mm **01 - 690**



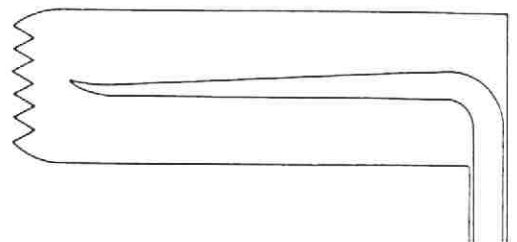
60 x 10 mm **01 - 688**



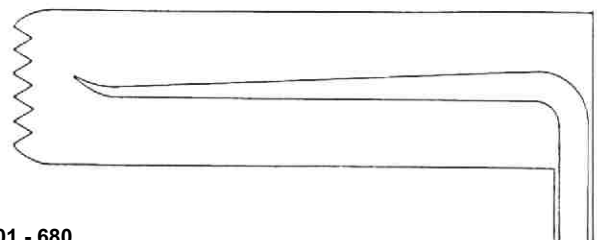
70 x 10 mm **01 - 686**



50 x 20 mm **01 - 684**



60 x 20 mm **01 - 682**

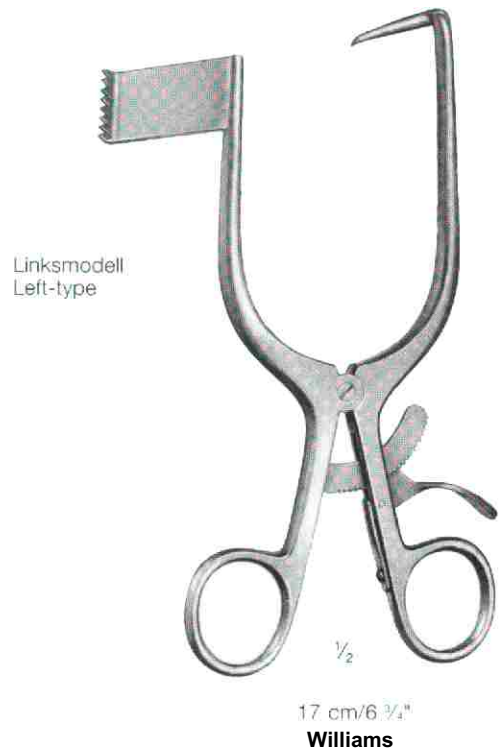
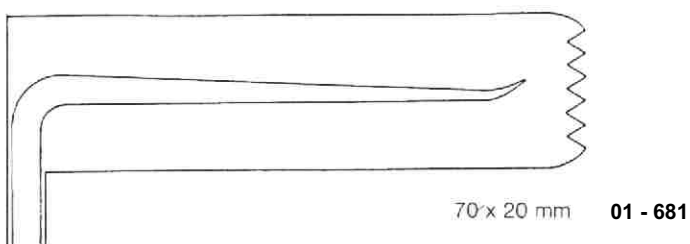
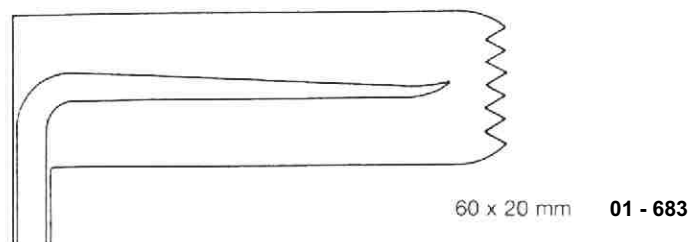
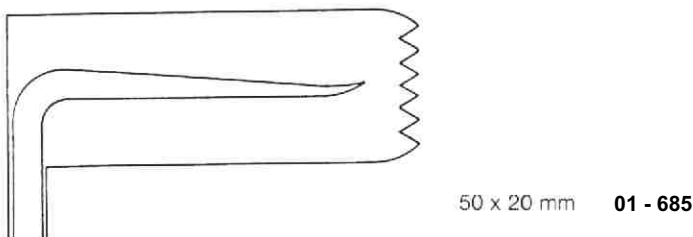
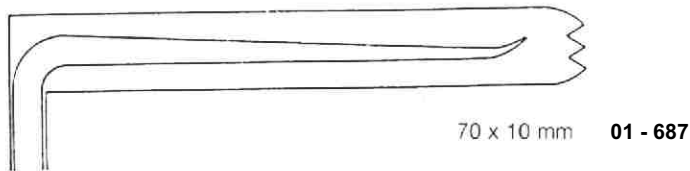
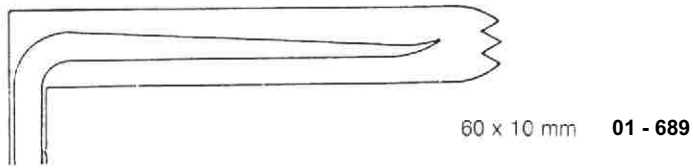
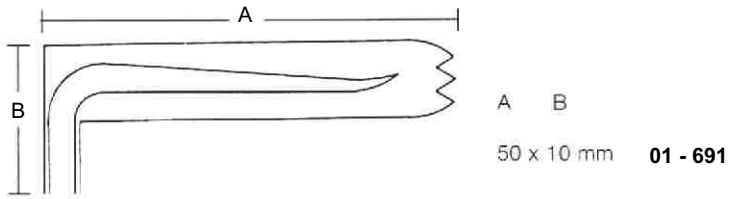


70 x 20 mm **01 - 680**

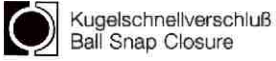
Andere Größen/Modelle auf Anfrage
Other sizes/models on request

Muskelspreizer Muscle Retractors (Dissectomy Retractor)

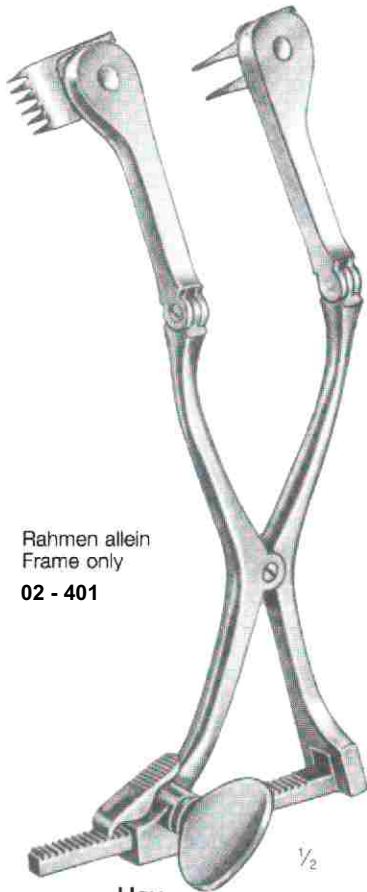
Linksmodell
Left-type



Muskelspreizer Muscle Retractors (Discectomy Retractor)

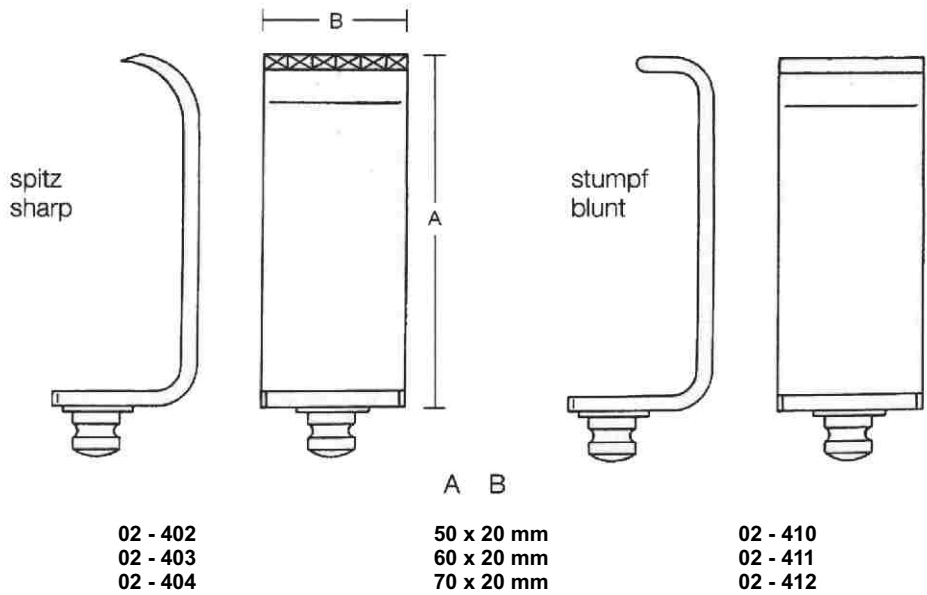


Muskelblätter Muscle Blades

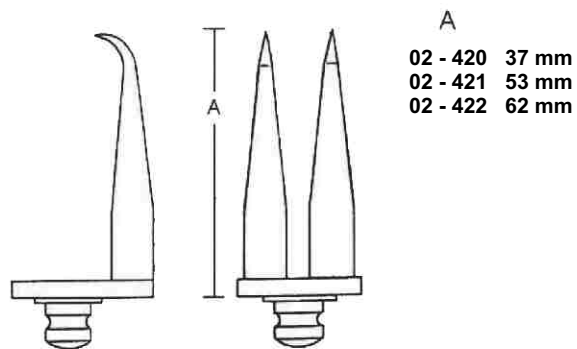


Rahmen allein
Frame only
02 - 401

Hey
23 cm/9"
02 - 400



Wirbeldorne Vertebra Pins



Sperrer komplett, bestehend aus:
Retractor complete, consisting of:

Rahmen allein
Frame only

Blatt / blade 50 x 20 mm
id., 60 x 20 mm
id., 70 x 20 mm
Dorn / pin 37 mm
id., 53 mm
id., 62 mm

Andere Größen/Modelle auf Anfrage
Other sizes/patterns on request

Wund- und Wirbelkörperspreizer Laminectomy Retractors



Inge 16 cm, 6 1/2"

02-100 Spreizweite 38 mm, 1 1/2"
blade opening 38 mm, 1 1/2"



Inge 25 cm, 9 1/2"

02-110 Spreizweite 50 mm, 2"
blade opening 50 mm, 2"



Inge 25 cm, 9 1/2"

02-120 Spreizweite 50 mm, 2"
blade opening 50 mm, 2"



Cloward-Vertebra 16 cm, 6 1/4"

02-140 Spreizweite 15 mm, 1 1/32"
blade opening 15 mm, 1 1/32"



Cloward-Vertebra 15 cm, 6"

02-150 Spreizweite 20 mm, 3/4"
blade opening 20 mm, 3/4"

Wund- und Wirbelkörperspreizer Laminectomy Retractors



1/3

Hoen 27 cm, 10 3/4"

02-181

bestehend aus / consisting of

1 Spreizer, retractor

1 Valve, blade

02-182, 02-184, 02-185, 02-187

02-180 Spreizer ohne Valven
Retractor without blades



1/2

Hoen Valven, Blades,

02-182 A 35 mm, 1 3/8"
B 45 mm, 1 3/4"

02-184 A 45 mm, 1 3/4"
B 45 mm, 1 3/4"



1/2

Hoen Valven, Blades,

02-185 A 35 mm, 1 3/8"
B 25 mm, 1"

02-187 A 45 mm, 1 3/4"
B 25 mm, 1"



1/2

Hoen Valven, Blades,

02-188 32 mm, 1 1/4"
02-190 64 mm, 2 1/2"

02-192 A 57 mm, 2 1/4"
B 45 mm, 1 3/4"
02-194 A 67 mm, 2 5/8"
B 45 mm, 1 3/4"



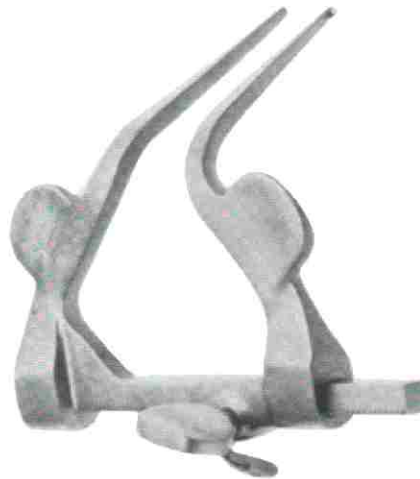
Kugelschnellverschluß
Ball Snap Closure



1/3

Cloward-Hoen 24 cm, 9 1/2"

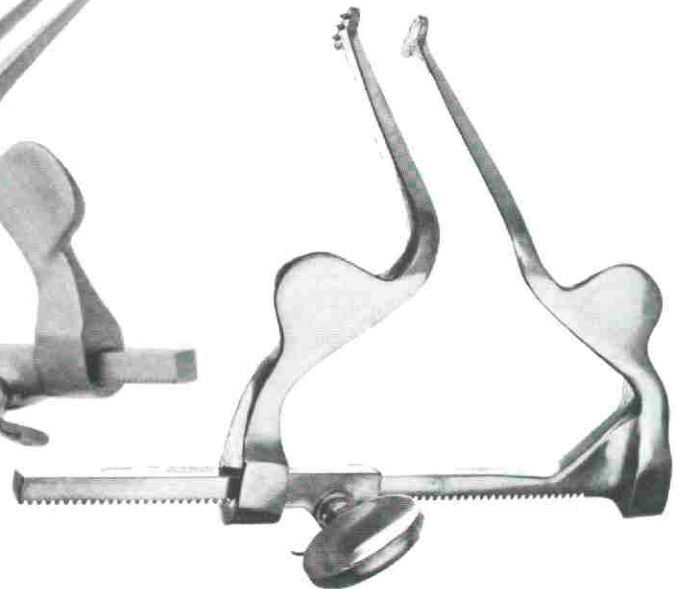
02-200 Spreizer ohne Valven
Retractor without blades



1/3

Cloward 13 cm, 5"

02-210



1/2

Cloward

02-220 13,5 cm, 5 1/4"
02-230 16,5 cm, 6 1/2"

Wund- und Wirbelkörperspreizer Laminectomy Retractors



Kugelschnellverschluss
Ball Snap Closure



1/3

Cloward 17 cm, 6 3/4"
02-250 Spreizer ohne Valven
Retractor without blades



1/3

Cloward-Hoen 25 cm, 10"
02-260 bestehend aus / consisting of
02-261 Spreizer ohne Valven,
retractor without blades
02-262 50 mm, 2"
2 Valven, blades
02-264 64 mm, 2 1/2"
2 Valven, blades



1/3

Cloward-Hoen Valven, Blades,

02-262 50 mm, 2" tief, deep

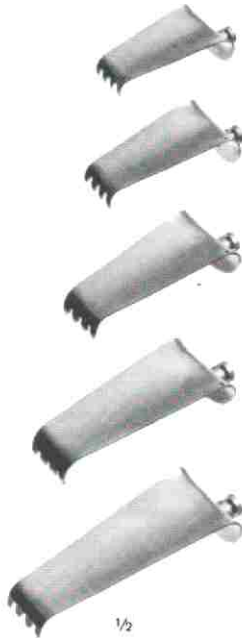
02-264 64 mm, 2 1/2" tief, deep



1/3

Cloward 25 cm, 9 1/2"
02-270 komplett mit 5 spitzen Valven
complete with 5 sharp blades

02-271 Spreizer ohne Valven
Retractor without blades



1/2

Valven, Blades,
02-272 40 mm, 1 9/16"
02-274 45 mm, 1 3/4"
02-276 50 mm, 2"
02-278 55 mm, 2 5/32"
02-280 60 mm, 2 3/8"



1/2

Cloward 15 cm, 6"
02-300 komplett mit 5 stumpfen Valven
complete with 5 blunt blades

02-301 Spreizer ohne Valven
Retractor without blades



1/2

Valven, Blades
02-303 40 mm, 1 9/16"
02-305 45 mm, 1 3/4"
02-307 50 mm, 2"
02-309 55 mm, 2 5/32"
02-311 60 mm, 2 3/8"

Hemilaminectomiespreizer Hemilaminectomy Retractors



Scoville

03-100 Spreizweite 150 mm, 6"
blade opening 150 mm, 6"

Rahmen allein, frame only,

Scoville-Haverfield

03-200 Spreizweite 150 mm, 6"
blade opening 150 mm, 6"

Rahmen allein, frame only,



1/2

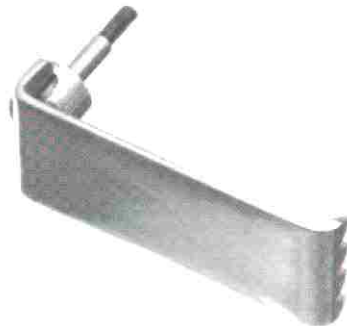
Scoville

spitz, sharp

03-300 50 mm, 2"
03-310 70 mm, 2 3/4"
03-320 75 mm, 3"

stumpf, blunt

03-325 50 mm, 2"
03-330 70 mm, 2 3/4"
03-335 75 mm, 3"
tief, deep,



2/3

Scoville

tief
deep

breit
wide

03-360	50 mm, 2"	25 mm, 1"
03-370	50 mm, 2"	50 mm, 2"
03-380	57 mm, 2 1/4"	25 mm, 1"
03-390	57 mm, 2 1/4"	38 mm, 1 1/2"
03-400	64 mm, 2 1/2"	25 mm, 1"
03-406	64 mm, 2 1/2"	29 mm, 1 1/8"
03-410	64 mm, 2 1/2"	50 mm, 2"
03-420	67 mm, 2 5/8"	28 mm, 1 1/8"
03-422	67 mm, 2 5/8"	30 mm, 1 3/16"
03-424	75 mm, 3"	25 mm, 1"
03-426	75 mm, 3"	50 mm, 2"
03-430	88 mm, 3 1/2"	25 mm, 1"
03-432	100 mm, 4"	50 mm, 2"



1/2

Taylor

tief
deep

breit
wide

03-440	48 mm, 1 7/8"	50 mm, 2"
03-445	64 mm, 2 1/2"	50 mm, 2"
03-450	64 mm, 2 1/2"	64 mm, 2 1/2"
03-460	80 mm, 3 1/8"	57 mm, 2 1/4"

Scoville

03-470	41 mm, 1 5/8"	38 mm, 1 1/2"
03-480	67 mm, 2 5/8"	44 mm, 1 3/4"

Hemilaminectomypreizer Hemilaminectomy Retractors



1/2

Meyerding

	tief deep	breit wide
03-490	44 mm, 1 3/4"	25 mm, 1"
03-500	50 mm, 2"	25 mm, 1"
03-510	57 mm, 2 1/4"	25 mm, 1"
03-520	70 mm, 2 3/4"	25 mm, 1"
03-530	75 mm, 3"	25 mm, 1"
03-540	83 mm, 3 1/4"	25 mm, 1"
03-550	88 mm, 3 1/2"	50 mm, 2"



1/2

Scoville

03-600	38 mm, 1 1/2"
03-610	50 mm, 2"
03-620	70 mm, 2 3/4"
03-630	75 mm, 3"

tief, deep,
mit Stop, with stop



1/2

Epstein

	tief deep	breit wide
03-650	57 mm, 2 1/4"	25 mm, 1"



1/2

Taylor

	tief deep	breit wide
03-700	75 mm, 3"	32 mm, 1 1/4"
03-750	100 mm, 4"	42 mm, 1 5/8"



1/2

Taylor

	tief deep	breit wide
03-790	25 mm, 1"	41 mm, 1 5/8"
03-800	44 mm, 1 3/4"	38 mm, 1 1/2"
03-810	50 mm, 2"	41 mm, 1 5/8"

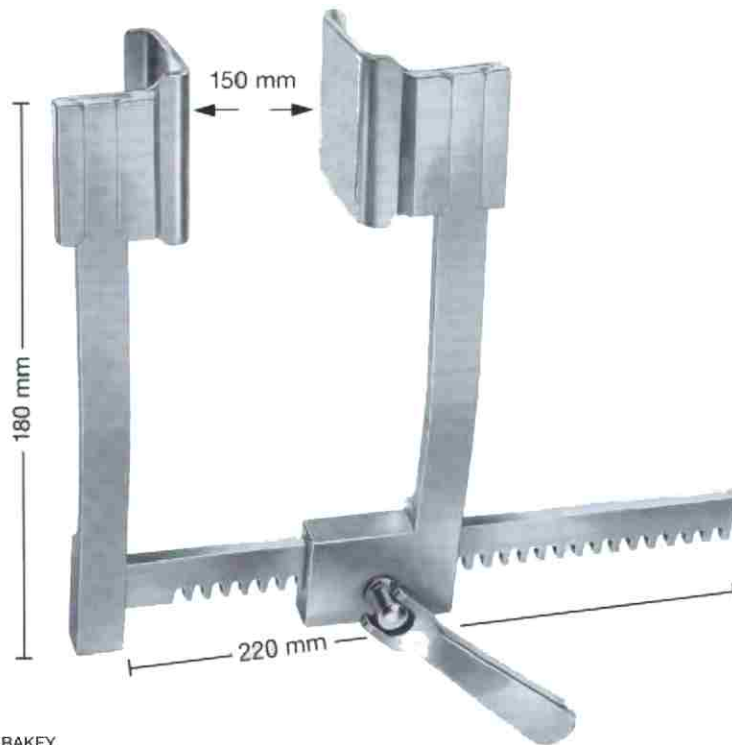


2/3

Hibbs

03-900	50 mm, 2"	19 mm, 3/4"
03-905	50 mm, 2"	25 mm, 1"
03-910	50 mm, 2"	50 mm, 2"
03-915	64 mm, 2 1/2"	25 mm, 1"
03-920	64 mm, 2 1/2"	38 mm, 1 1/2"
03-925	75 mm, 3"	25 mm, 1"
03-930	75 mm, 3"	38 mm, 1 1/2"
03-935	75 mm, 3"	50 mm, 2"
03-940	75 mm, 3"	64 mm, 2 1/2"
03-945	88 mm, 3 1/2"	25 mm, 1"
03-950	88 mm, 3 1/2"	38 mm, 1 1/2"
03-955	100 mm, 4"	25 mm, 1"
03-960	100 mm, 4"	50 mm, 2"

Rippensperrer Rip Spreaders



DE BAKEY
AS 06-100
mit 3 Paar Blättern
with 3 pairs of blades

AS 06-101
Sperrer allein
Spreader only

The blades are delivered in pairs.



AS 06-102
Blätter/Blades
30 x 30 mm



AS 06-103
Blätter/Blades
40 x 40 mm

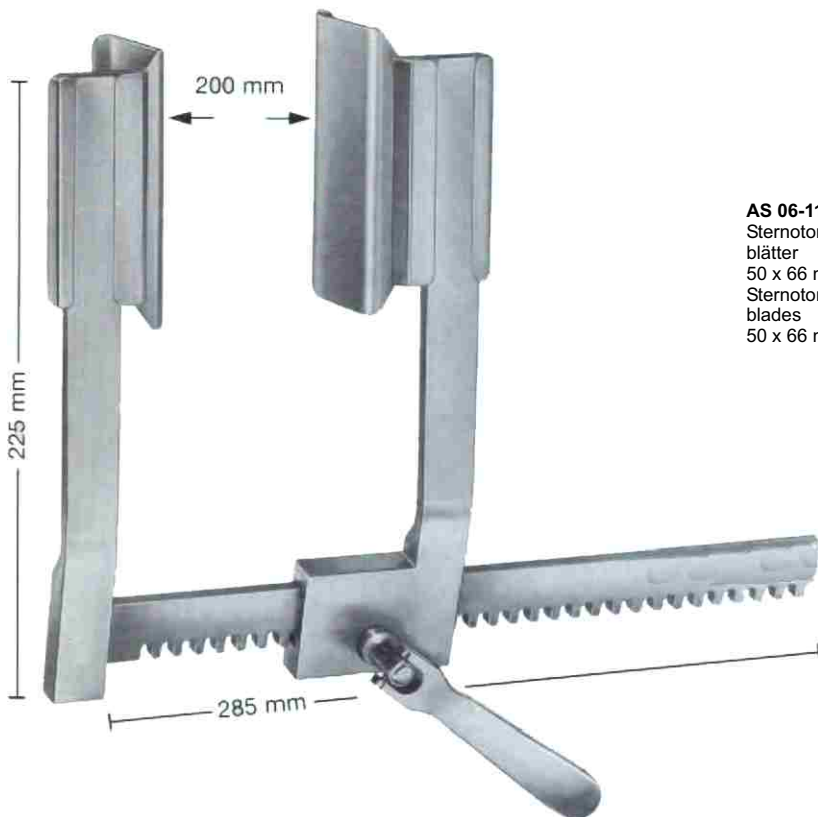


AS 06-104
Blätter/Blades
50 x 50 mm

Rippensperrer Rip Spreaders

DE BAKEY
AS 06-110
 mit 3 Paar Blättern
 with 3 pairs of blades

Sperrer allein
 Spreader only
AS 06-111
 The blades are delivered in pairs.



AS 06-112
 Blätter / Blades
 60 x 60 mm



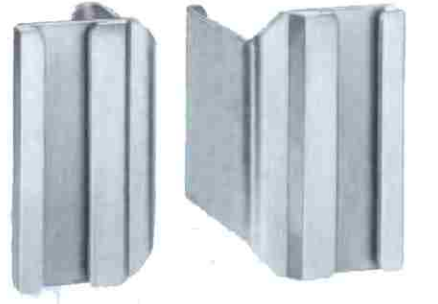
AS 06-113
 Blätter / Blades
 50 x 80 mm



AS 06-114
 Blätter / Blades
 40 x 100 mm



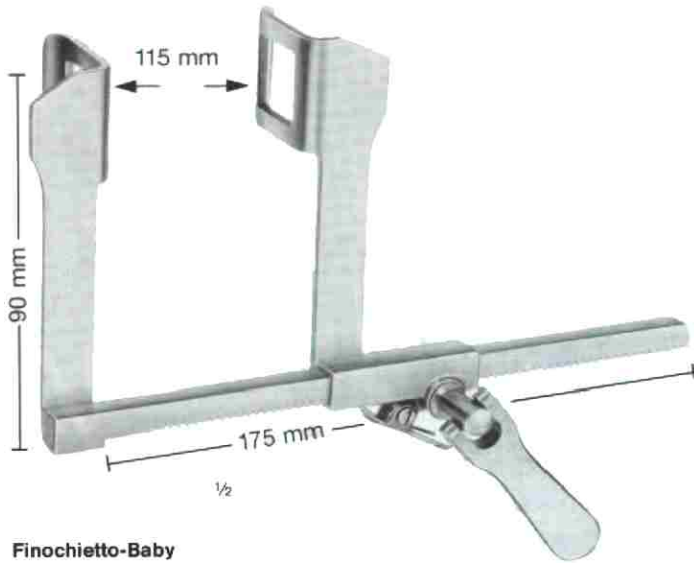
AS 06-116
 Blätter / Blades
 80 x 60 mm



AS 06-115
 Sternotomie-
 blätter
 50 x 66 mm
 Sternotomy
 blades
 50 x 66 mm



Rippen-sperrer und Rippenkontraktoren Rib Spreaders and Rib Contractors



Finochietto-Baby

06-200 19 mm x 20 mm
seitl. Valven
lateral blades

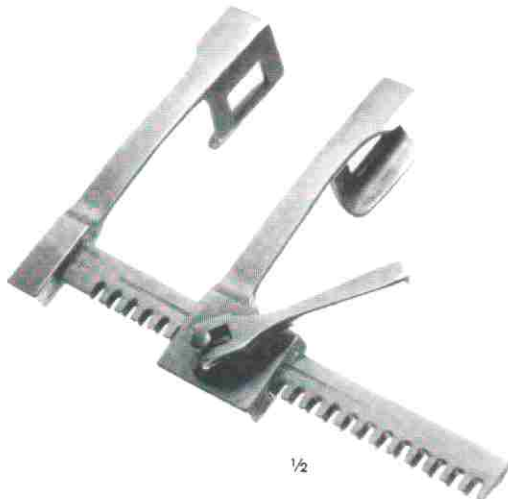
75 mm
Spreizweite
blade opening



Finochietto-Infant

06-210 14 mm x 15 mm
seitl. Valven
lateral blades

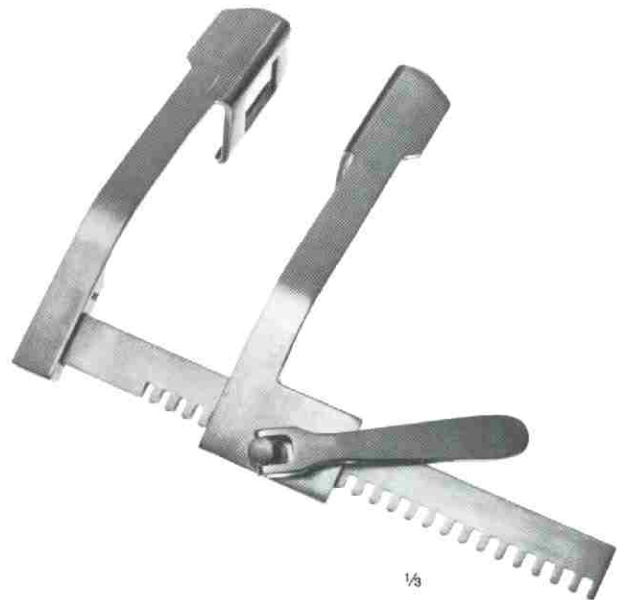
55 mm
Spreizweite
blade opening



Finochietto-Baby

06-220 19 mm x 20 mm
seitl. Valven
lateral blades

75 mm
Spreizweite
blade opening



Finochietto

06-230 40 mm x 45 mm 165 mm
06-240 45 mm x 65 mm 200 mm
06-250 70 mm x 65 mm 250 mm
seitl. Valven
lateral blades

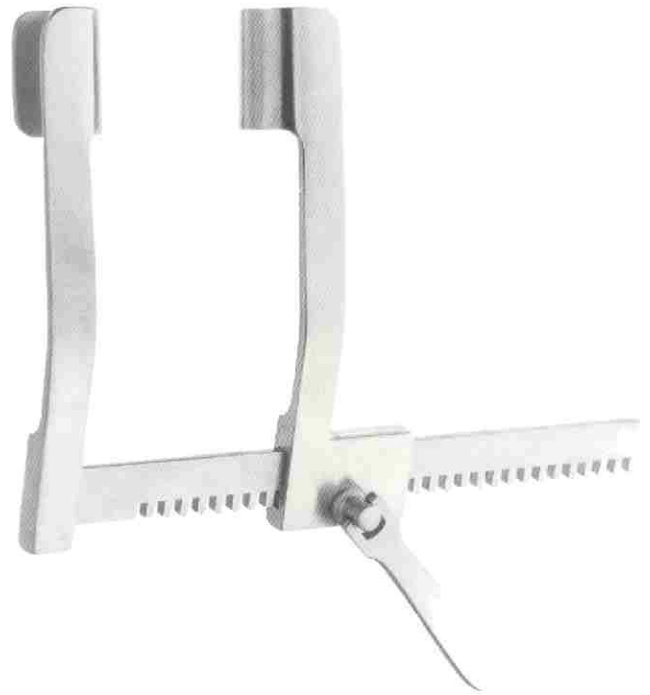
Spreizweite
blade opening

Rippenspreizer Rib Spreaders



Morse

- 06-290** klein, small size
15 cm, 6" Spreizweite, blade opening
- 06-292** groß, large size
20 cm, 8" Spreizweite, blade opening



Cooley

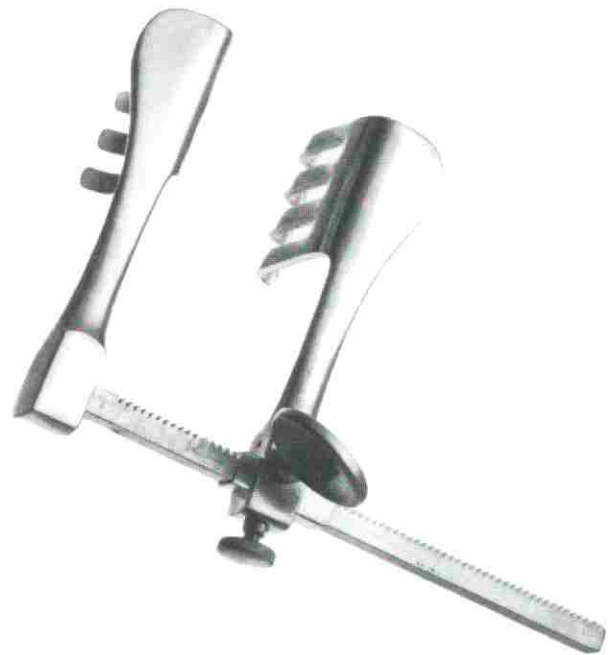
- 06-355** 21 mm x 45 mm 14,5 cm, 5 1/2"
- 06-360** 32 mm x 50 mm 19,0 cm, 7 1/2"
seitl. Valven lateral blades
blade opening



1/3

Tuffier

- 06-300** gerillt
grooved
- 06-305** 50 mm x 43 mm 16,5 cm, 6 1/2"
rauh seitl. Valven
roughened lateral blades
blade opening



1/3

Badgley

- 06-320** 50 mm x 43 mm 16,5 cm, 6 1/2"
seitl. Valven lateral blades
blade opening

Rippensperrer und Rippenkontraktoren Rib Spreaders and Rib Contractors



1/2

Bailey 18 cm, 7"
06-400 25 mm

Bailey-Gibbon 18 cm, 7"
06-410 30 mm



1/2

Bailey-Baby 16 cm, 6 1/4"
06-420 20 mm



1/2

Lemmon 14 cm, 5 1/2"
06-460 22 mm



1/2

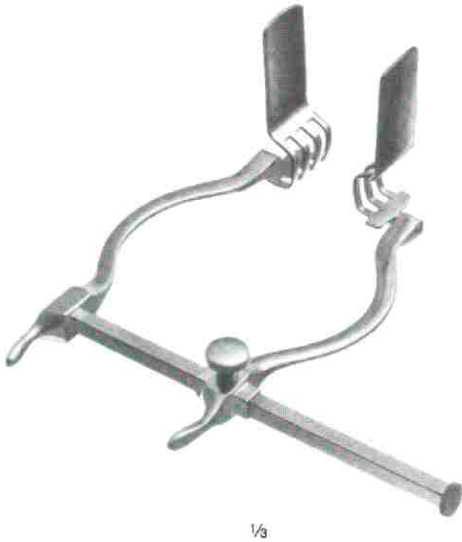
Lemmon 18 cm, 7"
06-470 30 mm



1/2

Ablaza 15 cm, 6"
06-480 33 mm

Blasenwundpreizer Bladder Retractors



1/3

Judd-Masson

08-300 67 mm x 25 mm 120 mm
2 5/8" x 1" 4 3/4"
seitl. Valven Spreizweite
lateral blades blade opening



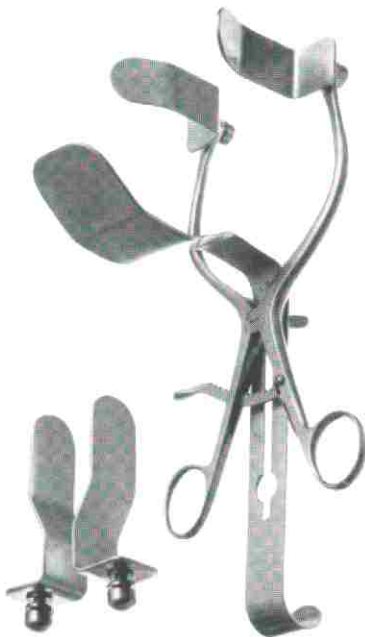
1/3

Judd-Masson

08-350 67 mm x 25 mm 75 mm x 25 mm 120 mm
2 5/8" x 1" 3" x 1" 4 3/4"
seitl. Valven Mittelvalve Spreizweite
lateral blades center blade blade opening



Kugelschnellverschluß
Ball Snap Closure



1/3

Millin 08-400

bestehend aus / consisting of

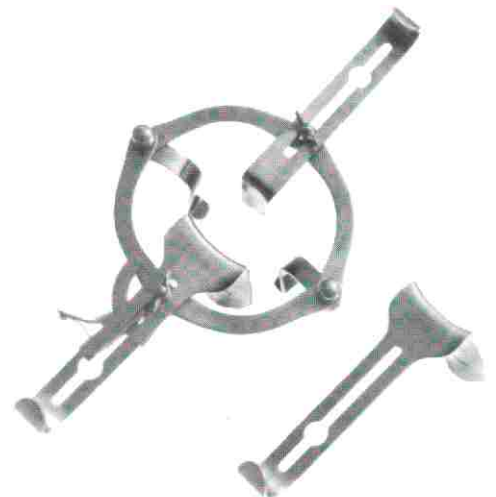
08-410 1 Rahmen, frame
08-420 2 Valven, blades 57 mm x 25 mm
08-430 2 Valven, blades 80 mm x 25 mm
08-440 1 Valve, blade 120 mm x 45 mm



1/2

Legue

08-500 28 mm x 60 mm 70 mm x 32 mm
1 1/8" x 2 3/8" 2 3/4" x 1 1/4"
seitl. Valven Mittelvalve
lateral blades center blade



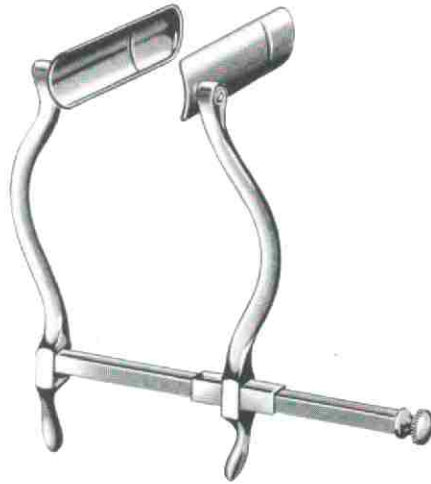
1/3

O'Sullivan-O'Connor 08-700

bestehend aus / consisting of

08-710 1 Rahmen, frame
08-715 1 Valve, blade 44 mm x 15 mm
08-720 1 Valve, blade 85 mm x 39 mm
08-725 1 Valve, blade 85 mm x 45 mm

Rektumspreizer Rectum Retractors



1/8

Smith-Buie 70 mm x 22 mm, 2 3/4" x 7/8"

15-200 Spreizweite
blade opening
125 mm, 4 7/8"



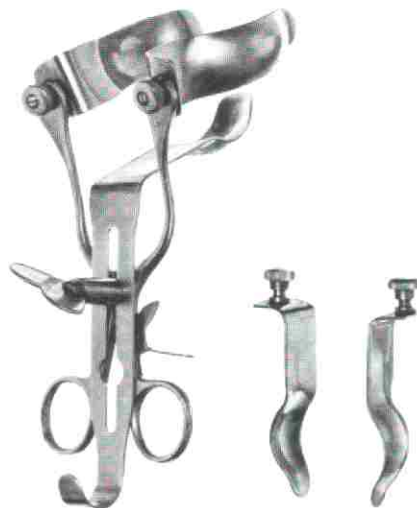
1/2

Barr 17 cm, 6 3/4", 70 mm x 22 mm, 2 3/4" x 7/8"

15-300 Spreizweite
blade opening
75 mm, 3"



Kugelschnellverschluß
Ball Snap Closure



1/2

Alan-Parks 15-500 13,5 cm, 5 1/4"

bestehend aus / consisting of

15-510	1 Rahmen, frame	
15-520	2 Valven, blades	75 mm x 24 mm
15-530	2 Valven, blades	95 mm x 24 mm
15-540	1 Valve, blade	95 mm x 24 mm

Drahtschneidezange Wire Cutting Pliers



Lepine
19-350 28,5 cm, 11 1/4"



Seifried
Drahtkneifzange, wire cutting pliers,

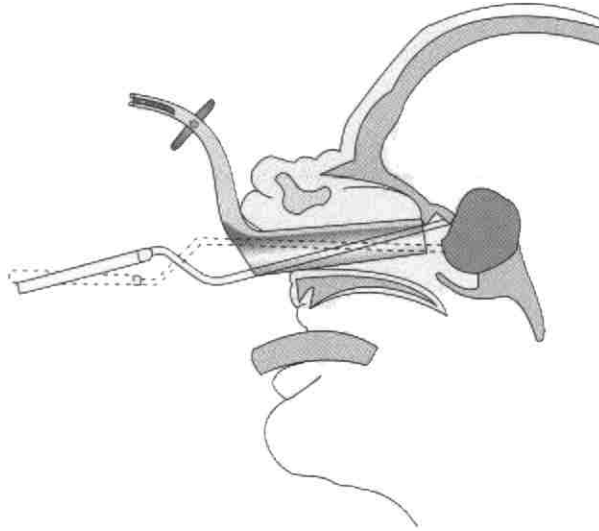
20-910 46 cm, 18 1/4"
20-912 56 cm, 22"
für Draht bis 6 mm
for wires up to 6 mm



Seifried
Drahtkneifzange, wire cutting pliers,

20-920 46 cm, 18 1/4"
20-922 56 cm, 22"
für Draht bis 6 mm
for wires up to 6 mm

Hypophysektomie-Instrumente Pituitary Instruments



Cushing - Landolt

70 x 15 mm AS 37-100
90 x 15 mm AS 37-101
110 x 15 mm AS 37-102

Poplitea - Spreizer Poplitea Retractor



Kugelschnellverschluß
Ball Snap Closure



AS 37-349

**Poplitea-Sperrer, komplett
Poplitea retractor, complete**

bestehend aus:
consisting of:
Sperrer, alleine
Retractor, only AS 37-327

Blätter (Paar)
Blades (pair) AS 37-348



AS 348

Blätter (Paar), alleine bestehend aus:
Blades (pair), only consisting of:

Valve / blades
stumpf / blunt 60 x 50 mm
Valve / blades
halbscharf / semi-sharp 40 x 35 mm

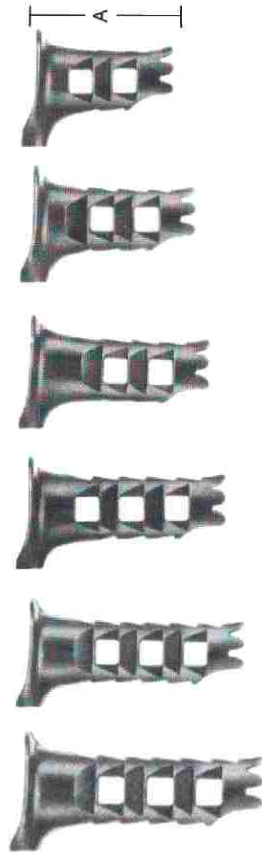
Wundspreizer für lumbale Wirbelsäule Retractor for lumbar vertebral Column



Kugelschnellverschluß
Ball Snap Closure



Caspar



Speculum 40 mm AS 37-799

Speculum 45 mm AS 37-800

Speculum 50 mm AS 37-801

Speculum 55 mm AS 37-802

Speculum 60 mm AS 37-803

Speculum 65 mm AS 37-804
Speculum 70 mm AS 37-805
Speculum 75 mm AS 37-806
Speculum 85 mm AS 37-808



Caspar

Counter Retractor, only

AS 37-812



Lateral Blade 35 mm AS 37-870

Lateral Blade 40 mm AS 37-871

Lateral Blade 45 mm AS 37-872

Lateral Blade 50 mm AS 37-873

Lateral Blade 55 mm AS 37-874

Lateral Blade 60 mm AS 37-875
Lateral Blade 65 mm AS 37-876
Lateral Blade 75 mm AS 37-877
Lateral Blade 85 mm AS 37-878

Spekula für Rückenoperation Specula for lumbar vertebral operations



Kugelschnellverschluß
Ball Snap Closure



CASPAR

AS 37-410

Retractor complete,
consisting of:

exchangeable blade, black-finish, 40 mm	AS 37-371
exchangeable blade, black-finish, 45 mm	AS 37-372
exchangeable blade, black-finish, 50 mm	AS 37-373
exchangeable blade, black-finish, 55 mm	AS 37-374
exchangeable blade, black-finish, 60 mm	AS 37-375
exchangeable blade, black-finish, 65 mm	AS 37-376
exchangeable blade, black-finish, 70 mm	AS 37-377



AS 37-373
50 mm

Wundspreizer für die cervicale Wirbelsäule Retractors for cervical vertebral column



Kugelschnellverschluß
Ball Snap Closure

85 mm



Caspar

Sperrer (Spekulum-Ausführung),
mit Gelenken, bestehend aus:
Retractor (speculum pattern),
adjustable, consisting of:

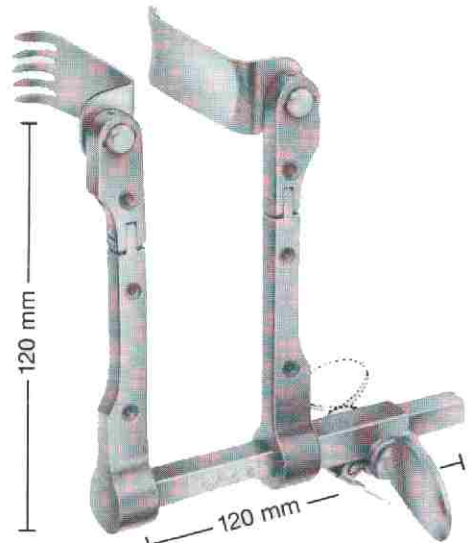
Sperre alleine **37 - 771**
Retractor only

Sperre komplett **37 - 780**
Retractor complete

Durch Umstecken der Schraube ist der
Sperrer von beiden Seiten verwendbar.

By reversing the screw, retractor can be
used from both sides.

90 mm



Caspar

Sperrer mit Gelenken, bestehend aus:
Retractor, adjustable, consisting of:

Sperre alleine **37 - 439**
Retractor only

Sperre komplett **37 - 460**
Retractor complete

Durch Umstecken der Schraube ist der
Sperrer von beiden Seiten verwendbar.

By reversing the screw, retractor can be
used from both sides.

90 mm



Caspar

Gegensperrer mit Gelenken,
bestehend aus:
Counter Retractor, adjustable,
consisting of:

Sperre alleine **37 - 491**
Retractor only

Sperre komplett **37 - 490**
Retractor complete

165 mm

Wundspreizer für die cervicale Wirbelsäule Retractors for cervical vertebral column



Kugelschnellverschluss
Ball Snap Closure



CASPAR AS 37-480

Gegensperrerr komplett,
für ventrale cervicale Fusionsoperationen,
mit 5 Blättern

Retractor complete,
for ventral cervical fusion operations
with 5 blades

AS 37-481

Gegensperrerr allein

Retractor only

150 mm, 6"



CASPAR

AS 37-470

Halsweichteilsperrerr komplett,
für ventrale und cervicale Fusionsoperation
komplett mit je 5 medialen und lateralen
Blättern

Spreader for soft tissue complete,
for ventral cervical fusion operations,
complete with 5 each medial and lateral
blades

AS 37-471

Halsweichteilsperrerr allein

Spreader for soft tissue only

110 mm, 4 $\frac{3}{8}$ "



AS 37-782 45 x 23 mm

AS 37-783 50 x 23 mm

AS 37-784 55 x 23 mm

AS 37-785 60 x 23 mm

AS 37.786 65 x 23 mm

Wundspreizer für die cervicale Wirbelsäule Retractors for cervical vertebral column



T = Titanium

AS 37-719T 25 x 25 mm
AS 37-720T 30 x 25 mm
AS 37-721T 35 x 25 mm
AS 37-722T 40 x 25 mm
AS 37-723T 45 x 25 mm
AS 37-724T 50 x 25 mm
AS 37-725T 55 x 25 mm
AS 37-726T 60 x 25 mm
AS 37-727T 65 x 25 mm
AS 37-728T 70 x 25 mm

AS 37-729T 25 x 25 mm
AS 37-730T 30 x 25 mm
AS 37-731T 35 x 25 mm
AS 37-732T 40 x 25 mm
AS 37-733T 45 x 25 mm
AS 37-734T 50 x 25 mm
AS 37-735T 55 x 25 mm
AS 37-736T 60 x 25 mm
AS 37-737T 65 x 25 mm
AS 37-738T 70 x 25 mm

AS 37-783T 45 x 23 mm
AS 37-784T 50 x 23 mm
AS 37-785T 55 x 23 mm
AS 37-786T 60 x 23 mm
AS 37-787T 65 x 23 mm

AS 37-764 50 x 25 mm
AS 37-766 60 x 25 mm

stumpfe Blätter
zur Spanentnahme
am Beckenkamm

blunt blades
for harvesting of the
fusion graft from the
iliac crest

AS 37-772 40 x 23 mm
AS 37-773 45 x 23 mm
AS 37-774 50 x 23 mm
AS 37-775 55 x 23 mm
AS 37-776 60 x 23 mm

AS 37-792 40 x 23 mm
AS 37-793 45 x 23 mm
AS 37-794 50 x 23 mm
AS 37-795 55 x 23 mm
AS 37-796 60 x 23 mm

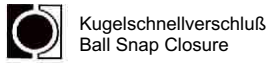


AS 37-879T 25 x 24 mm
AS 37-880T 30 x 24 mm
AS 37-881T 35 x 24 mm
AS 37-882T 40 x 24 mm
AS 37-883T 45 x 24 mm
AS 37-884T 50 x 24 mm
AS 37-885T 55 x 24 mm
AS 37-886T 60 x 24 mm
AS 37-887T 65 x 24 mm
AS 37-888T 70 x 24 mm

AS 37-889T 25 x 24 mm
AS 37-890T 30 x 24 mm
AS 37-891T 35 x 24 mm
AS 37-892T 40 x 24 mm
AS 37-893T 45 x 24 mm
AS 37-894T 50 x 24 mm
AS 37-895T 55 x 24 mm
AS 37-896T 60 x 24 mm
AS 37-897T 65 x 24 mm
AS 37-898T 70 x 24 mm

AS 37-399

Wundspreizer für die gesamte Wirbelsäule Self-Retaining Retractors for Vertebral Column



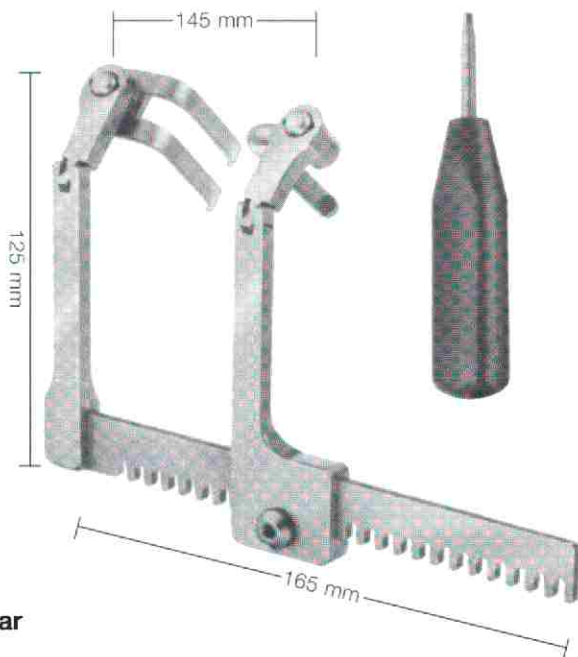
Kugelschnellverschluss
Ball Snap Closure



37 - 435
Haken 38 mm
Hook 38 mm

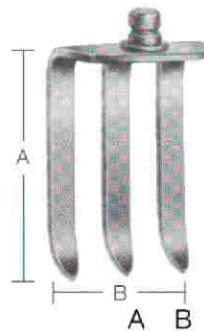
37 - 437
Haken 58 mm
Hook 58 mm

37 - 441 30 x 22 mm
37 - 442 35 x 22 mm
37 - 443 40 x 22 mm
37 - 444 45 x 22 mm
37 - 445 50 x 22 mm
37 - 446 55 x 22 mm
37 - 447 60 x 22 mm
37 - 448 65 x 22 mm



Caspar

- Sperrer komplett, bestehend aus: **37 - 450**
Retractor complete, consisting of:
- Sperrer allein **37 - 449**
Retractor only
- Schlüssel/key **37 - 749**
Haken/hook 38 mm
Blatt/blade 37x22 mm



37 - 451 30 x 37 mm
37 - 452 35 x 37 mm
37 - 453 40 x 37 mm
37 - 454 45 x 37 mm
37 - 455 50 x 37 mm
37 - 456 55 x 37 mm
37 - 457 60 x 37 mm
37 - 458 65 x 37 mm



37 - 461 30 x 52 mm
37 - 462 35 x 52 mm
37 - 463 40 x 52 mm
37 - 464 45 x 52 mm
37 - 465 50 x 52 mm
37 - 466 55 x 52 mm
37 - 467 60 x 52 mm
37 - 468 65 x 52 mm

Instruments for measuring and preparing bone graft and bone graft site

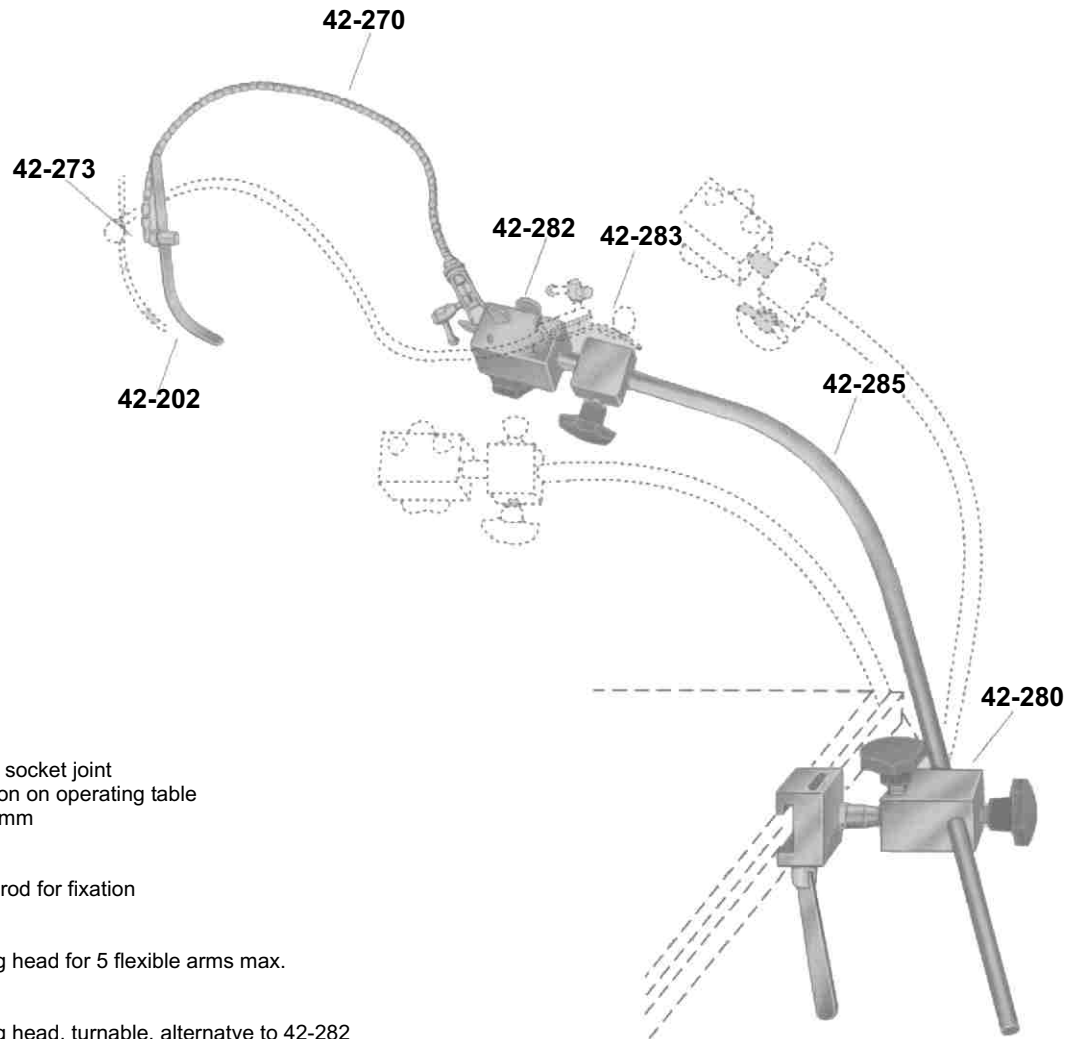


Caspar modif.

AS 37-845

Caliper, for measurement
of the bone graft and graft site

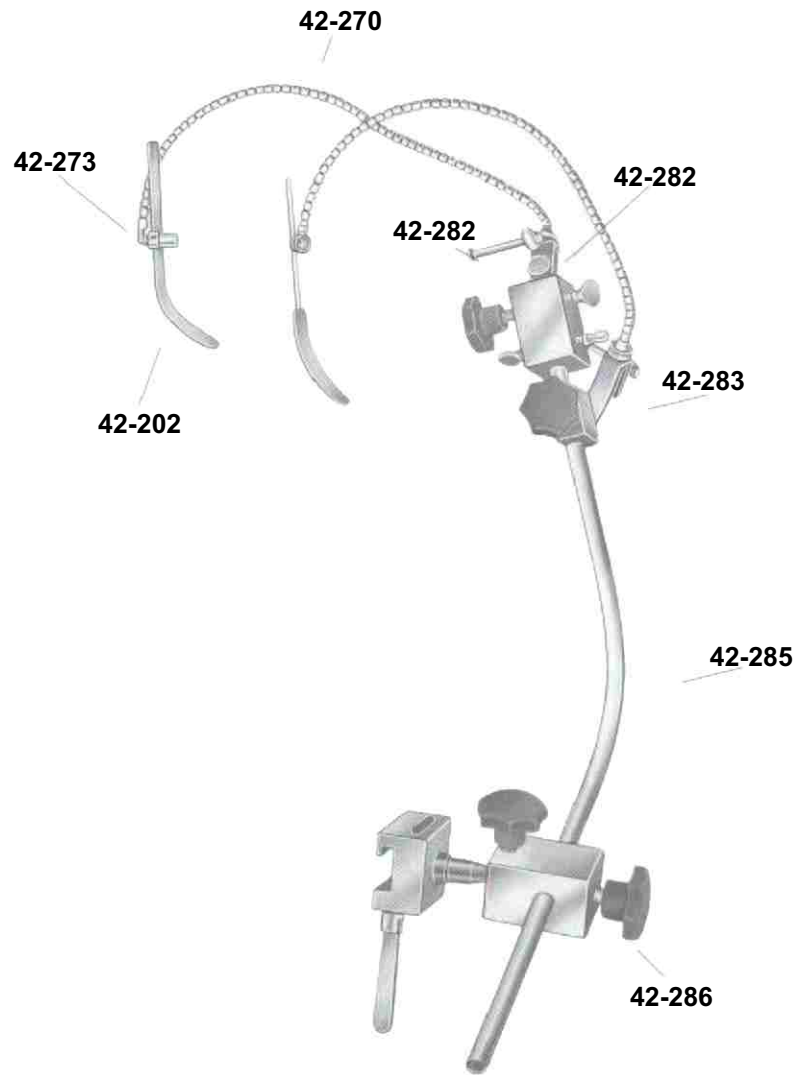
LEYLA Retractor System



- 42-280** Ball and socket joint for fixation on operating table 10 x 25 mm
- 42-285** Holding rod for fixation
- 42-282** Coupling head for 5 flexible arms max.
- 42-283** Coupling head, turnable, alternative to 42-282
- 42-284** Coupling head, laterally open, alternative to 42-282
- 42-284** Flexible arm
- 42-270** Holder for flat brain spatula
- 42-273** Brain spatula
- 42-202**

YASARGIL

LEYLA Retractor System



YASARGIL

- 42-286 Ball and socket joint for fixation on operating table 9 x 32 mm
- 42-285 Holding rod for fixation
- 42-282 Coupling head for 5 flexible arms max.
- 42-283 Coupling head, turnable, alternative to 42-282
- 42-284 Coupling head, laterally open, alternative to 42-282
- 42-284 Flexible arm
- 42-270 Holder for flat brain spatula
- 42-273 Brain spatula
- 42-202

LEYLA Retractor System



42-260 Brain retractor, flexible, for flat spatula, with 1 flexible ar, complete, consisting of:

42-267 Fixation base for 1 flexible arm

42-270 Flexible arm only

42-273 Support for flat brain spatulas

42-262 Brain retractor, flexible, for flat spatula, with 2 flexible ar, complete, consisting of:

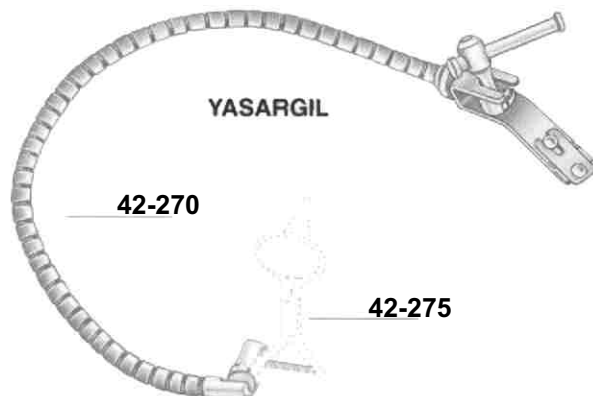
42-268 Fixation base for 2 flexible arm

42-270 Flexible arm only (2x)

42-273 Support for flat brain spatulas (2x)



42-270 Flexible arm only



Ear specula holder complete, consisting of:

42-270 Felxible arm only

42-266 Clamp for fixation on bars up to Ø 16 mm

42-099 42-275 Ear specula holder only

LEYLA Retractor System

42-273 Support for flat brain spatula

42-274 Support for brain spatula with round shaft



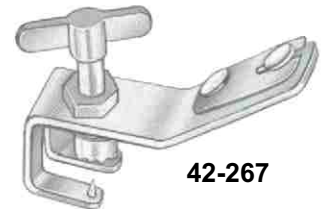
42-273

42-268 Fixation for 2 arms at skull



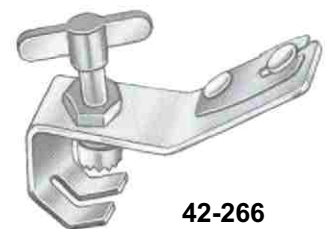
42-268

42-267 Fixation for 1 arm at skull



42-267

42-266 Fixation base for 1 arm on bars up to Ø 16 mm

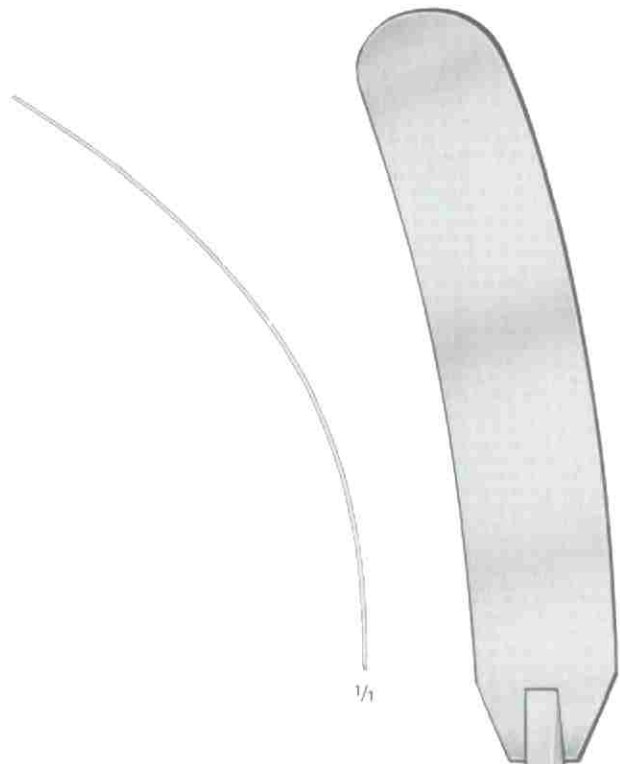


42-266

Brain Spatulas

Cat. No.	Width	Total length
42-231	14 mm	200 mm / 8"
42-232	17 mm	200 mm / 8"
42-233	20 mm	200 mm / 8"

malleable



Cat. No.	Width	Total length
42-256	8 mm	155 mm / 6"
42-257	11 mm	155 mm / 6"
42-258	14 mm	155 mm / 6"
42-259	17 mm	155 mm / 6"

malleable

HEIFETZ



42-258

1/1

42-233

Brain Spatulas



1/2

CUSHING
1790-211

CUSHING

Cat. No.	Width	Total length
1790-211	7 + 9 mm	180 mm / 7"
1790-212	11 + 13 mm	180 mm / 7"
1790-213	15 + 18 mm	180 mm / 7"
1790-214	18 + 22 mm	180 mm / 7"

malleable



1/2

42-202

Cat. No.	Width	Total length
42-201	9 mm	200 mm / 8"
42-202	12 mm	200 mm / 8"
42-222	12 mm	200 mm / 8"

malleable



1/2

OLIVECRONA
1810-216

OLIVECRONA

Cat. No.	Width	Total length
1810-216	7 + 9 mm	180 mm / 7"
1810-217	11 + 13 mm	180 mm / 7"
1810-218	15 + 18 mm	180 mm / 7"
1810-219	18 + 22 mm	180 mm / 7"

malleable

Wirbelkörper Distraktions System Vertebral Body Distraction System



CASPAR
AS 37-890

Vertebral body distractor,
for use in surgical procedures from **the right**
cervical spine, consisting of:

- | | |
|----------------------|-----------|
| 1 Distractor only | AS 37-891 |
| 1 Drill guide | AS 37-897 |
| 1 Twist drill | AS 37-898 |
| 2 Distraction screws | AS 37-895 |
| 1 Screw driver | AS 37-896 |

AS 37-893

Distractor
but with elongated toothed bar,
for multilevel (more than 2) distraction



AS 37-897
Drill guide
for parallel positioning
of the distraction screws.

Wirbelkörper Distraktions System Vertebral Body Distraction System



AS 37-907
Drill guide
for parallel positioning
of the distraction screws,



CASPAR
AS 37-900
Vertebral body distractor,
for use in surgical procedures from **the left**
cervical spine, consisting of:

- | | |
|----------------------|-----------|
| 1 Distractor only | AS 37-901 |
| 1 Drill guide | AS 37-907 |
| 1 Twist drill | AS 37-908 |
| 2 Distraction screws | AS 37-905 |
| 1 Screw driver | AS 37-906 |

AS 37-903
Distractor
but with elongated toothed bar,
for multilevel (more than 2) distraction

Wirbelkörper Distraktions System Vertebral Body Distraction System



37-906

200 mm / 8"

Schraubendreher für
Distraktions-Schrauben
Screw driver for distraction
screw



37-908

145 mm / 5³/₄"

Bohrer ø 1,7 mm
für Distraktionsschrauben
Bohrtiefe 8 mm
Twist drill ø 1,7 mm for
distraction screws,
drilling depth: 8 mm



AS 37-902 12 mm
AS 37-904 14 mm
AS 37-905 16 mm
AS 37-909 18 mm

Distraktionsschrauben
Distraction screws

Instruments form bone graft and bone graft site



AS 37-911

CASPAR
AS 37-911
 Bone graft holder
 and impactor
 219 mm, 8 1/4"



AS 37-913

AS 37-915

AS 37-914



CASPAR
 diam. 3 mm **AS 37-913**
 diam. 5 mm **AS 37-914**
 diam. 8 mm **AS 37-915**
 Tapper for the fine positioning
 of the graft and for cancellous
 bone plasty
 200 mm, 8"